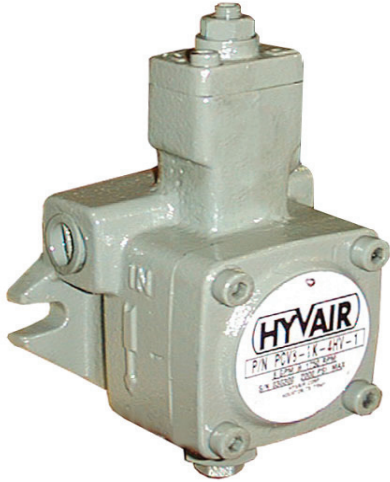


VANE PUMPS

PRESSURE COMPENSATED, VARIABLE VOLUME



SAE A, 2-Bolt, Flange Mounted



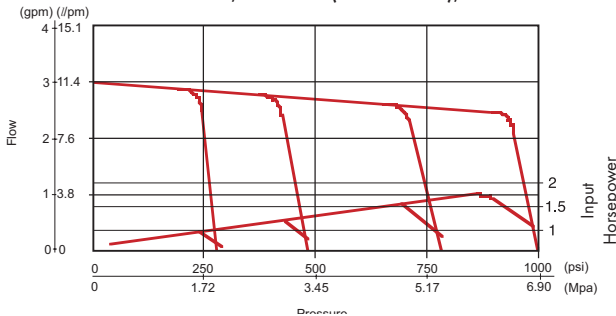
Series PCV3/ PCV5

FEATURES

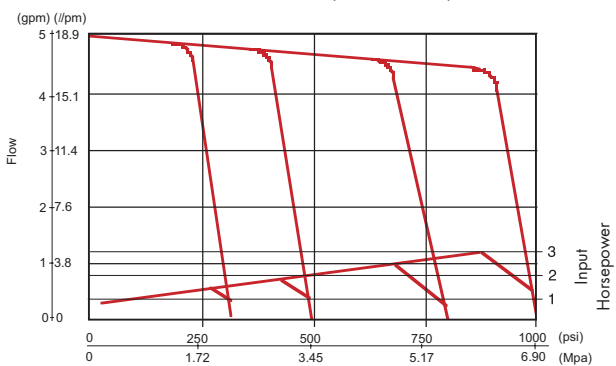
- ✓ **Variable Volume, Pressure Compensated Design:** Reduces heat, noise and horsepower requirements. Pump maintains constant pressure while matching system flow demands.
- ✓ **Simplified Circuit Design:** Direct spring operated compensator, no safety relief valve required.
- ✓ **Quiet Operation:** Noise levels as low as 67 dBa.
- ✓ **Compact and Simple Design:** Dependable operation- compensator not prone to contamination.
- ✓ **Long Service Life:** Sturdy construction, precise machining ensures durability.
- ✓ **Volume Adjustment Standard:** Pumps can be reduced as much as 50% of total maximum displacement.

Specifications

PCV3 1750 RPM, 3 GPM (at no load), 1000 PSI Max

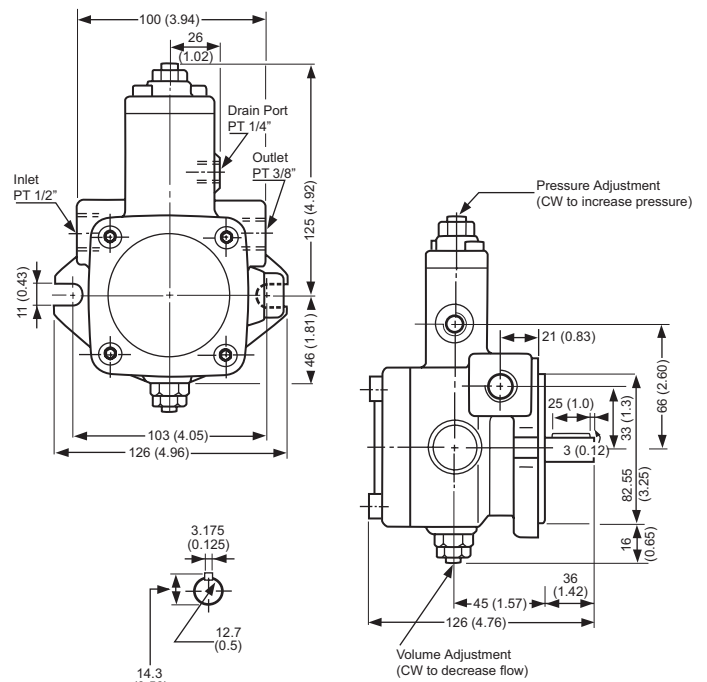


PCV5 1750 RPM, 5 GPM (at no load), 1000 PSI Max



Typical performance curves based on ISO VG46 Oil @120°F, (49°C)

Dimensional Data



Units: mm/ (Inch)

Weight: PCV3: 9.9 lbs/ 4.5 kgs PCV5: 10.6 lbs/ 4.8 kgs

ORDERING INFORMATION



VANE PUMP PART NUMBERING SYSTEM:

PCV3 - 1K - 2AK - 1

Note: Available right hand rotation (only)- viewed facing pump shaft

Size (GPM)
3
5

Code	Press Range
300	150-300 PSI
600	200-600 PSI
800	400-800 PSI
1K	400-1000 PSI

Mounting Style
2-Bolt, SAE A, 1/2" Dia. Keyed Shaft x 1.42" Long w/ 1/8" Key, Flow Adj. Std.

Series 1 Porting
1/2" inlet, 3/8" outlet, 1/4" case all female NPT

VANE PUMPS

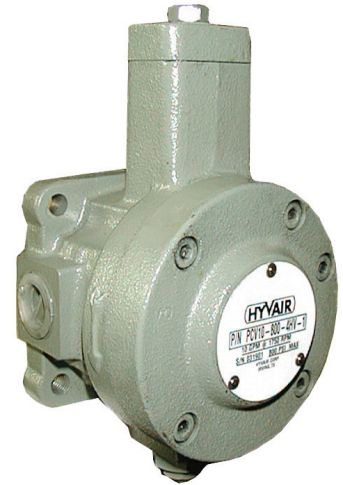
PRESSURE COMPENSATED, VARIABLE VOLUME



4HV, 4-Bolt, Flange Mounted

FEATURES

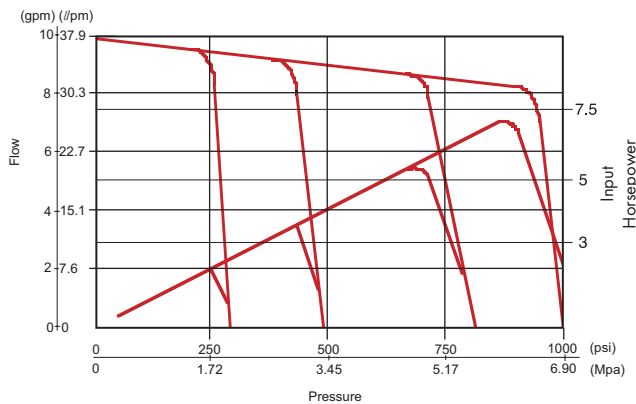
- ✓ **Variable Volume, Pressure Compensated Design:** Reduces heat, noise and horsepower requirements. Pump maintains constant pressure while matching system flow demands.
- ✓ **Simplified Circuit Design:** Direct spring operated compensator, no safety relief valve required.
- ✓ **Quiet Operation:** Noise levels as low as 69 dBa.
- ✓ **Compact and Simple Design:** Dependable operation- compensator not prone to contamination.
- ✓ **Long Service Life:** Sturdy construction, precise machining ensures durability.
- ✓ **Volume Adjustment Standard:** Pumps can be reduced as much as 50% of total maximum displacement.



Series PCV10

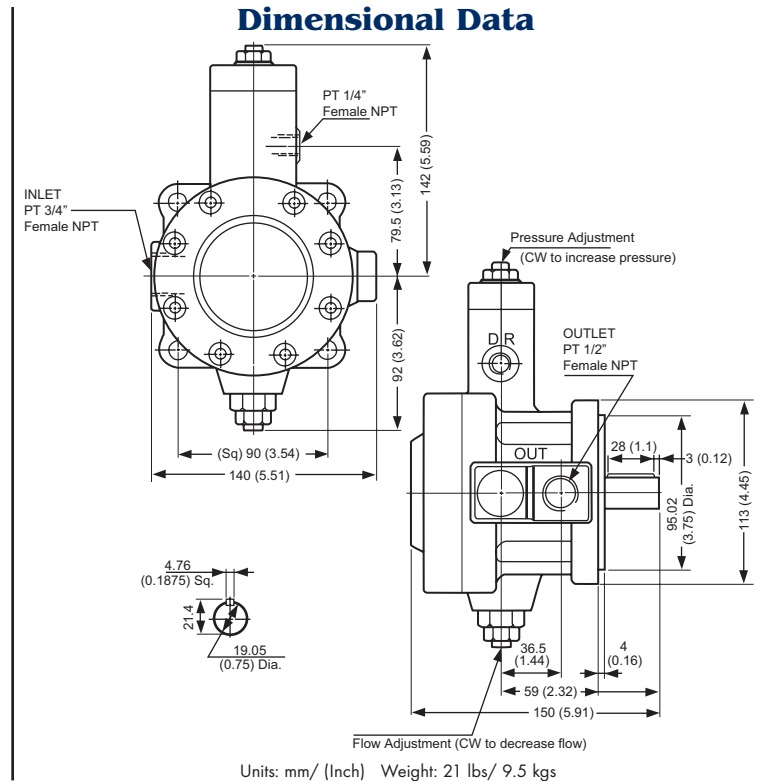
Specifications

PCV10 1750 RPM, 10.5 GPM (at no load), 1000 PSI Max



Typical performance curves based on ISO VG46 Oil @120°F, (49°C)

Dimensional Data



Units: mm/ (Inch) Weight: 21 lbs/ 9.5 kgs

ORDERING INFORMATION



VANE PUMP PART NUMBERING SYSTEM:

PCV10-1K-4HV-1

Note: Available right hand rotation (only)- viewed facing pump shaft

Size (GPM)
10

Code	Press Range
300	150-300 PSI
600	200-600 PSI
800	400-800 PSI
1K	400-1000 PSI

Mounting Style
4-Bolt, 4HV Mount (3.74" dia. pilot & 5.0" bolt circle), 3/4" Dia. Keyed Shaft x1.45" Long w/ 3/16" Key, w/ Flow Adj.

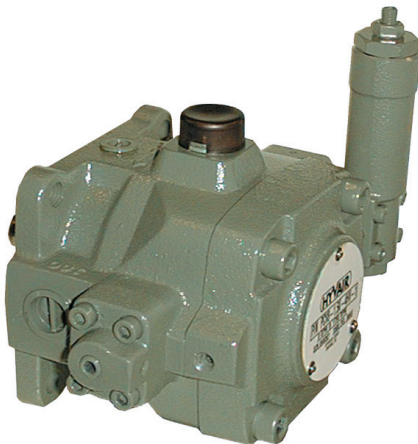
Series 1 Porting
3/4" inlet, 1/2" outlet, 1/4" case all female NPT

VANE PUMPS

PRESSURE COMPENSATED, VARIABLE VOLUME



4HV, 4-Bolt, Flange Mounted



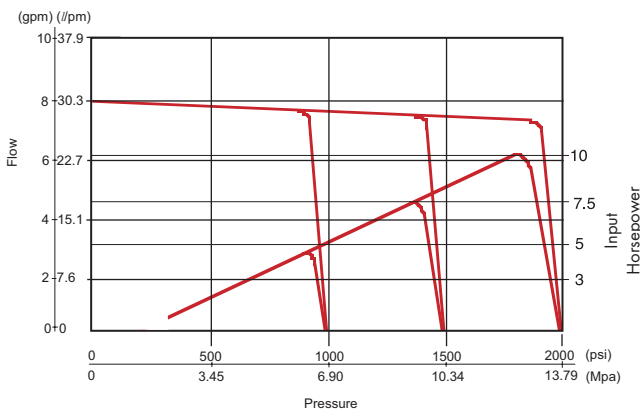
Series PCV8

FEATURES

- ✓ **Variable Volume, Pressure Compensated Design:** Reduces heat, noise and horsepower requirements. Pump maintains constant pressure while matching system flow demands.
- ✓ **Quiet Operation:** Noise levels as low as 70 dBA.
- ✓ **Compact and Simple Design:** Dependable operation- compensator not prone to contamination.
- ✓ **Long Service Life:** Study construction, precise machining ensures durability.
- ✓ **Volume Adjustment Standard:** Pumps can be reduced as much as 50% of total maximum displacement.

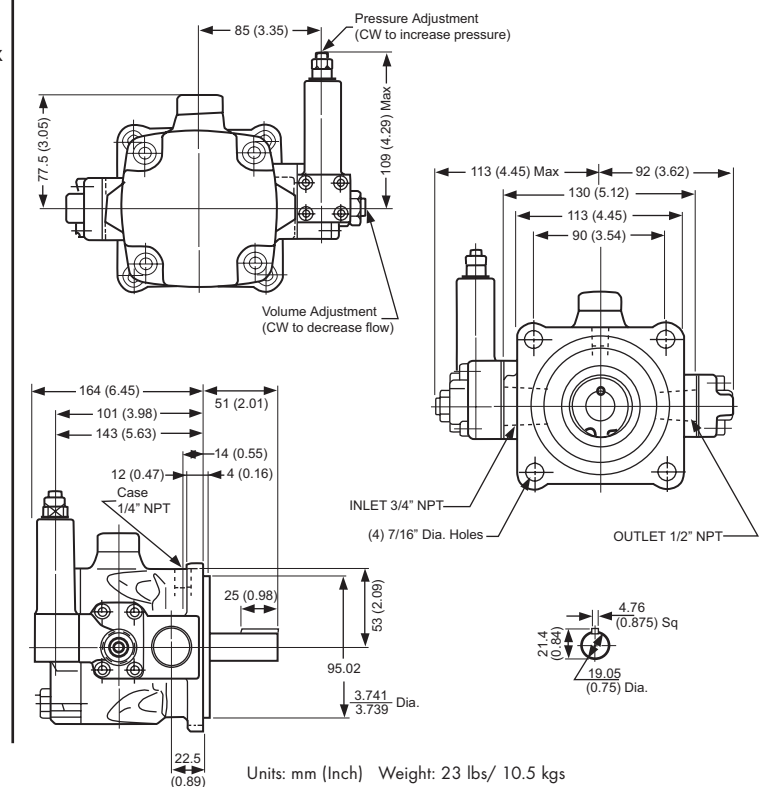
Specifications

PCV8-2K 1750 RPM, 7.9 GPM (at no load), 2000 PSI Max



Typical performance curves based on ISO VG46 Oil @120°F, (49°C)

Dimensional Data



ORDERING INFORMATION



VANE PUMP PART NUMBERING SYSTEM:

PCV8 - 2K - 4HV - 1

Note: Available right hand rotation (only)- viewed facing pump shaft

Size (GPM)
8

Code	Press Range
1.5K	500-1500 PSI
2K	1000-2000 PSI

Mounting Style
4-Bolt, 4HV Mount (3.74" dia. pilot & 5.0" bolt circle), 3/4" Dia. Keyed Shaft x 1.45" Long w/ 3/16" Key, w/ Flow Adj.

Series 1 Porting
3/4" inlet, 1/2" outlet, 1/4" case all female NPT