



400 SERIES NAMUR

5 port, 4 way



400 Series Namur (5 port, 4 way)

SPECIFICATIONS

Media	Air (No other gases or liquids)
Operation	Solenoid (Direct Acting)
Function	5 port, 4 way
Operating Temp. Range	41 - 140°F (5 - 60°C)
Maximum Pressure	10.5 Kg/cm ² (150psi)
Working Pressure	1.5 - 8.0 Kg/cm ² (21-114psi)
Orifice	14 mm ² - 30 mm ²
Flows	
Lubrication	None Required
Maximum Cycle Rate	5 cycles/second
Insulation	Class F
Power Consumption	AC: 4.5VA DC: 3W

SYMBOL



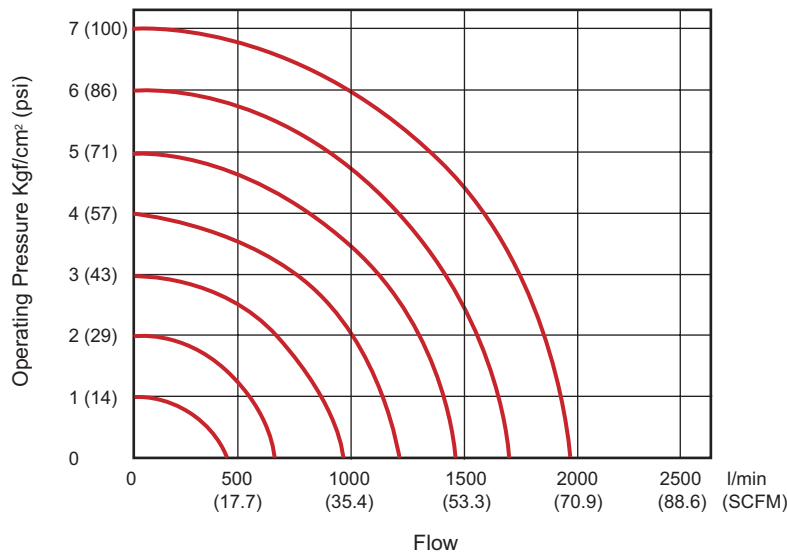
5 port, 4 way, 2 position
(spring return,
single solenoid)



5 port, 4 way, 2 position
(detented,
double solenoid)

FLOW DATA

SVN404 1/4"





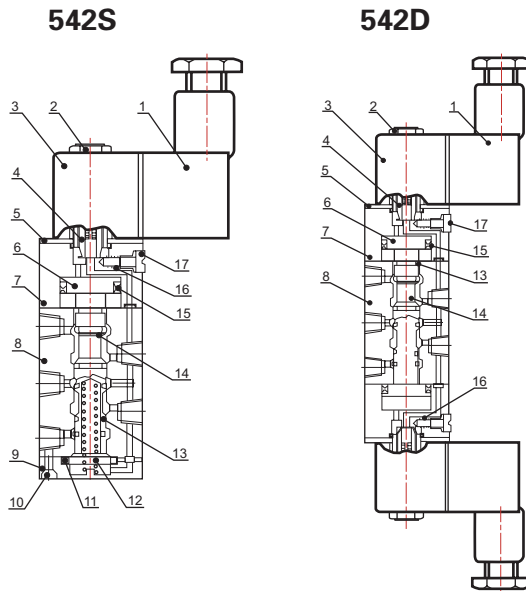
400 SERIES NAMUR

5 port, 4 way

CONSTRUCTION MATERIAL

Name	Material		Name	Material	
	542S	542D		542S	542D
Body	Aluminum Alloy		Manual Override Spring	Stainless Steel	
Spool	Aluminum Alloy		Spool Spring	Stainless Steel	
Manual Override O-Ring	NBR		Pilot Body	PBT+Glass Fiber	
Connector Gasket	NBR		Fixed Screw	Iron	
Spool O-Ring	HNBR		Coil Cover	Heat-Resistant Resin	
Bottom Cover Gasket	NBR		Manifold	Aluminum Alloy	
Pilot Gasket	NBR		Piston	Plastic	
Fixed Plate	Nickel Plated Steel		Armature	Pure Iron	
Nut	Plastic		Connector	Plastic	
Bottom Cover	Zinc Alloy				

PARTS BREAKDOWN



No.	Name	No.	Name
1	Connector	10	Fixed Screw
2	Nut	11	Bottom Cover Gasket
3	Coil	12	Spool Spring
4	Armature Assembly	13	Spool O-Ring
5	Fixed Plate	14	Spool
6	Piston	15	Piston O-Ring
7	Pilot Kit	16	Override Spring
8	Body	17	Manual Override
9	Bottom Cover		

ORDERING INFORMATION

SVN - 404 - 542S - 110A - SRL

Code	Description
SVN	Solenoid Valve Namur

Model	Port Size
404	1/4"

Code	Standard Configurations
542S	5 port, 4 way, 2 pos., spring return
542D	5 port, 4 way, 2 pos., detented (double solenoid)

Coil Voltage
omit (none)
12D (DC)
24A (AC)
24D (DC)
48A (AC)
110A (AC)
220A (AC)

Code	Electrical Connector
omit	none
SR	Strain Relief
CD	1/2" Conduit
LW	Lead Wire 36"
SRL	Strain Relief-Lighted (standard)
CDL	1/2" Conduit-Lighted
LWL	Lead Wire 36"-Lighted

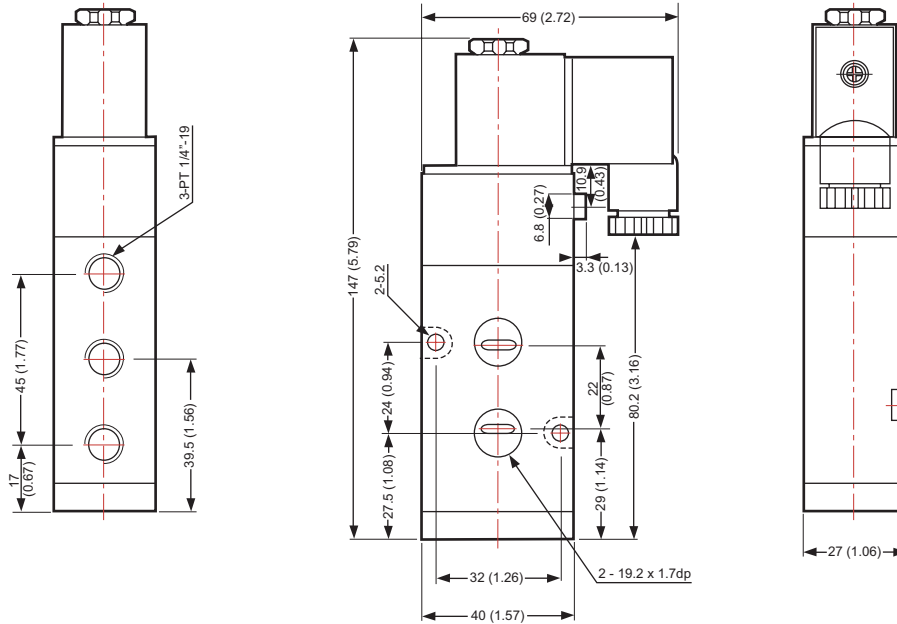
400 SERIES NAMUR

5 port, 4 way

DIMENSIONAL DATA

Units: mm/ (Inch)

SVN404-542S



SVN404-542D

