



Fluid Power Pneumatic Division

SOLENOID VALVES

800 SERIES

5 port, 4 way



800 Series (5 port, 4 way)

SPECIFICATIONS

Media	Air (No other gases or liquids)
Operation	Solenoid (Direct Acting)
Function	5 port, 4 way
Operating Temp. Range	41 - 140°F (5 - 60°C)
Maximum Pressure	10.5 Kgf/cm ² (150psi)
Working Pressure	1.5 - 8.0 Kgf/cm ² (21-114psi)
Orifice	30 mm ² - 50 mm ²
Flows	
Lubrication	None Required
Maximum Cycle Rate	3 cycles/second
Insulation	Class F
Power Consumption	AC: 4.5VA DC: 3.0W

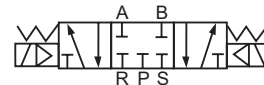
SYMBOL



5 port, 4 way, 2 position
(spring return,
single solenoid)



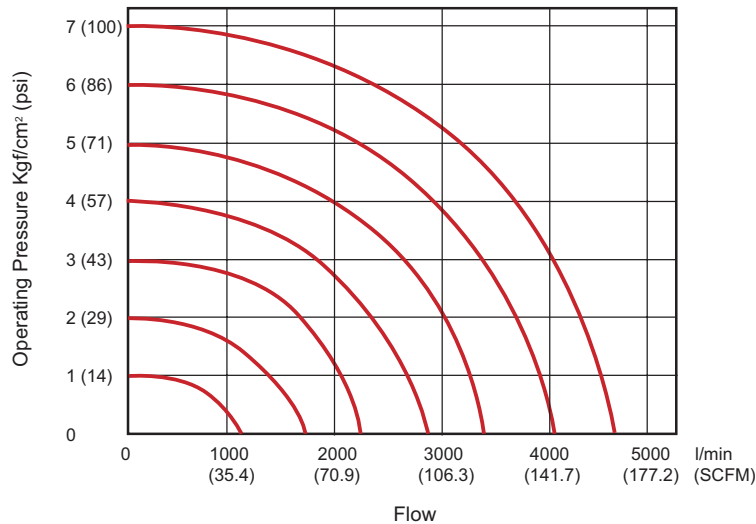
5 port, 4 way, 2 position
(detented,
double solenoid)



5 port, 4 way, 3 position
(spring centered blocked,
double solenoid)

FLOW DATA

SV808 1/2"





Fluid Power Pneumatic Division

SOLENOID VALVES

800 SERIES

5 port, 4 way

CONSTRUCTION MATERIAL

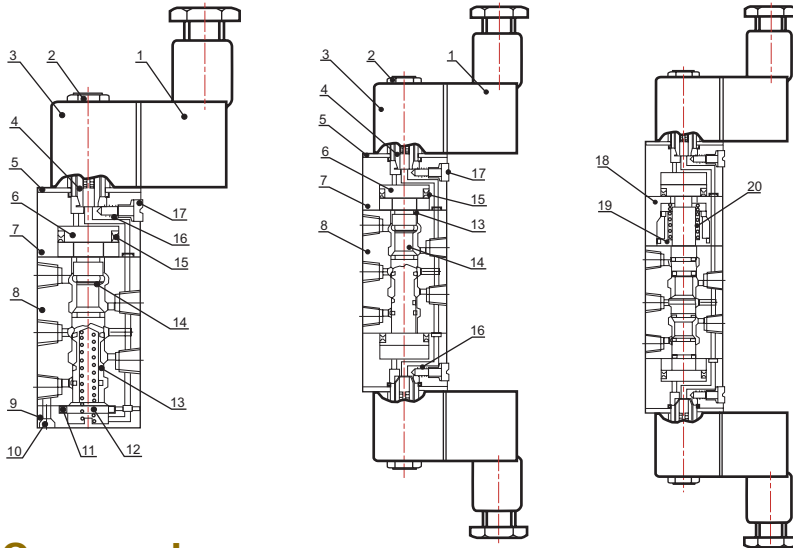
Name	Material			Name	Material		
	542S	542D	543B		542S	542D	543B
Body	Aluminum Alloy			Fixed Plate	Nickel Plated Steel		
Spool	Aluminum Alloy			Nut	Plastic		
Manual Override O-Ring	NBR			Manual Override	Plastic		
Connector Gasket	NBR			Bottom Cover	Zinc Alloy		
Spool O-Ring	HNBR			Manual Override Spring	Stainless Steel		
Bottom Cover Gasket	NBR			Spool Spring	Stainless Steel		
Pilot Gasket	NBR			Pilot Body	PBT+Glass Fiber		
Connector	Plastic			Fixed Screw	Iron		
Return Holder O-Ring			NBR	Coil Cover	Heat-Resistant Resin		
Return Kit			Copper	Manifold	Aluminum Alloy		
Side Cover			Aluminum Alloy	Piston	Plastic		
Return Spring			Stainless Steel	Armature	Pure Iron		
Return Spring Kit			Copper				

PARTS BREAKDOWN

542S

542D

543B



No.	Name	No.	Name
1	Connector	11	Bottom Cover Gasket
2	Nut	12	Spool Spring
3	Coil	13	Spool O-Ring
4	Armature Assembly	14	Spool
5	Fixed Plate	15	Piston O-Ring
6	Piston	16	Override Spring
7	Pilot Kit	17	Manual Override
8	Body	18	Side Cover
9	Bottom Cover	19	Spring Holder
10	Fixed Screw	20	Return Spring

ORDERING INFORMATION

SV - 808 - 542S - 24D - SRL

Code	Description
SV	Solenoid Valve

Model	Port Size
808	1/2"

Code	Standard Configurations
542S	5 port, 4 way, 2 pos., spring return
542D	5 port, 4 way, 2 pos., detented (double solenoid)
543B	5 port, 4 way, 3 pos., spring centered-all ports blocked (double solenoid)

Coil Voltage
omit (none)
12D (DC)
24A (AC)
24D (DC)
48A (AC)
110A (AC)
220A (AC)

Code	Electrical Connector
omit	none
SR	Strain Relief
CD	1/2" Conduit
LW	Lead Wire 36"
SRL	Strain Relief-Lighted (standard)
CDL	1/2" Conduit-Lighted
LWL	Lead Wire 36"-Lighted



Fluid Power Pneumatic Division

SOLENOID VALVES

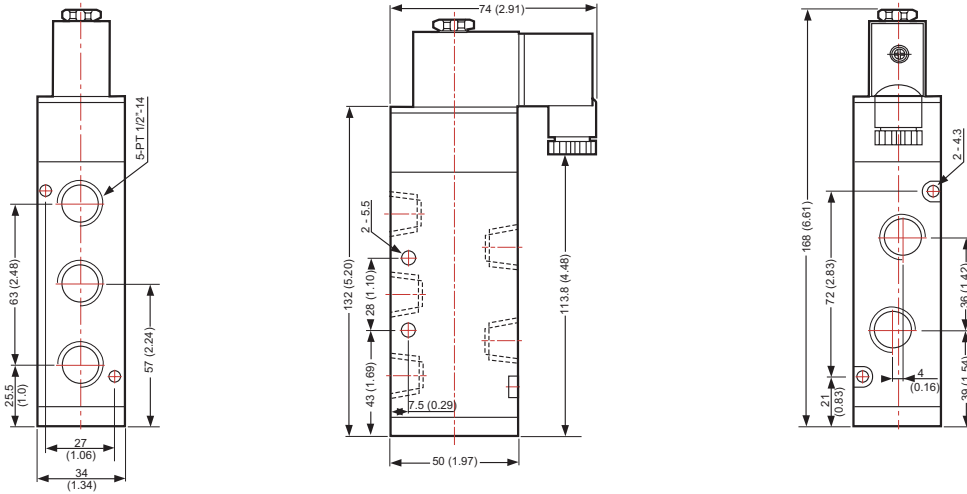
800 SERIES

5 port, 4 way

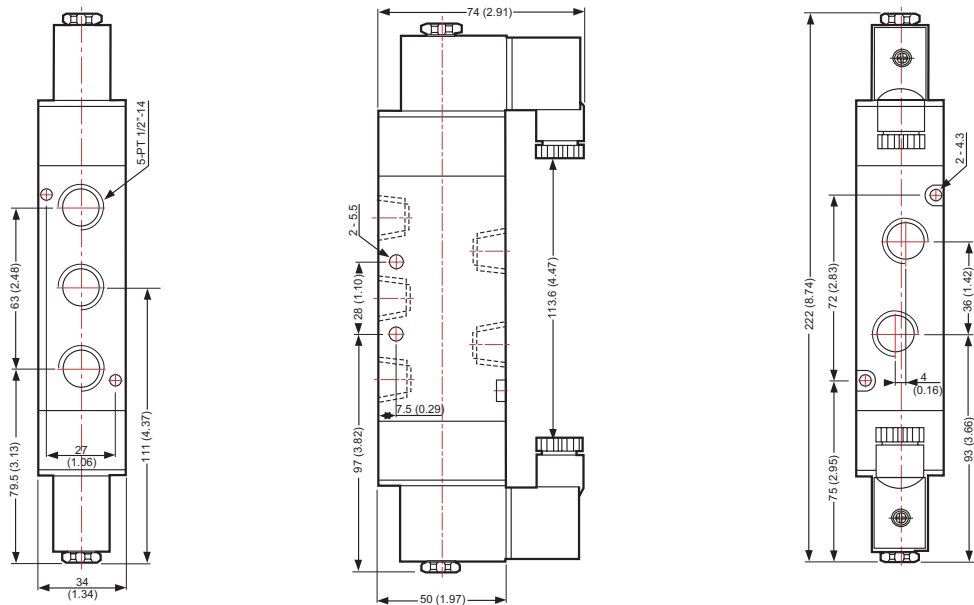
DIMENSIONAL DATA

Units: mm/ (Inch)

SV808-542S



SV808-542D





Fluid Power Pneumatic Division

SOLENOID VALVES

800 SERIES

5 port, 4 way

DIMENSIONAL DATA

Units: mm/ (Inch)

SV808-543B

