



Fluid Power Pneumatic Division

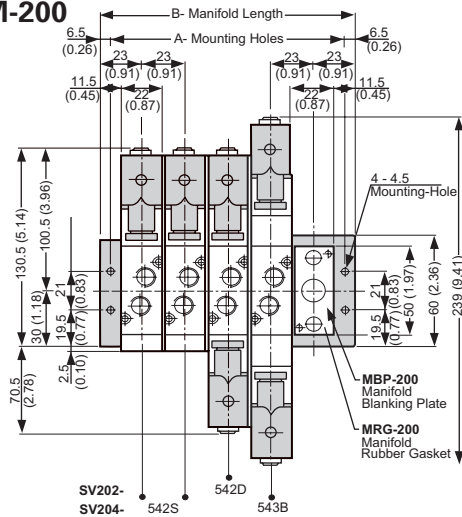
MANIFOLDS

200, 400 & 800 SERIES

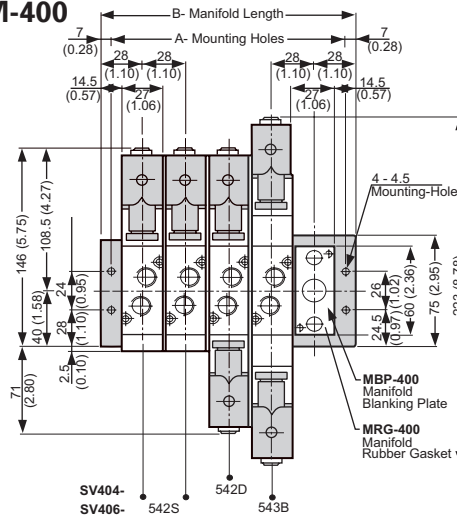
DIMENSIONAL DATA

Units: mm/ (Inch)

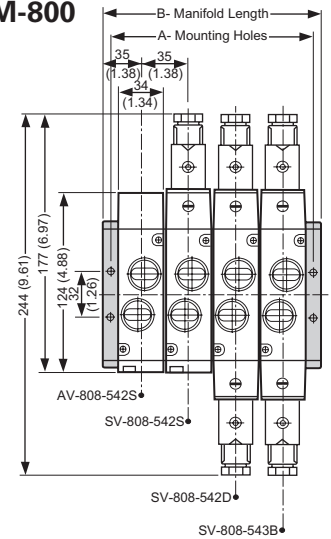
M-200



M-400



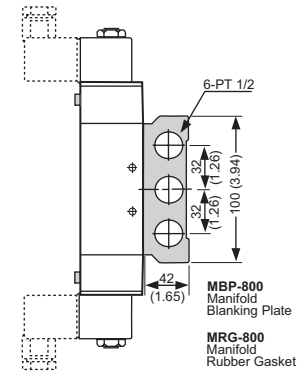
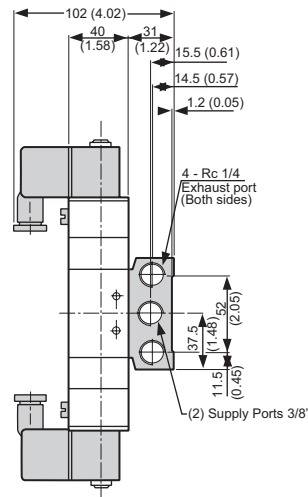
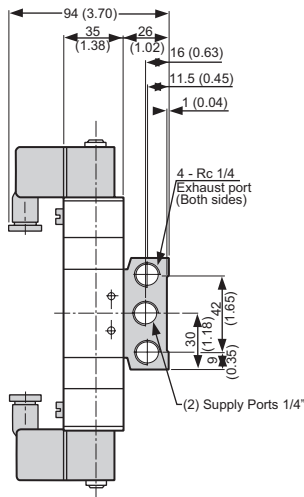
M-800



	Number of Stations									
	1	2	3	4	5	6	7	8	9	10
Dim A	34	57	80	103	126	149	172	195	218	241
Dim B	46	69	92	115	138	161	184	207	230	253

	Number of Stations									
	1	2	3	4	5	6	7	8	9	10
Dim A	42	70	98	126	154	182	210	238	266	294
Dim B	54	82	110	138	166	194	222	250	278	306

	Number of Stations							
	1	2	3	4	5	6	7	8
Dim A	49	84	119	154	189	224	259	294
Dim B	63	98	133	168	203	238	273	308



ORDERING INFORMATION

M - 400 - 4S

Code	Description	Model	# Stations
M	Manifold	200 400 800	1-10 available

Manifold Blanking Plate  
MBP- 200, 400 & 800 Series

Manifold Rubber Gasket  
MRG- 200, 400 & 800 Series