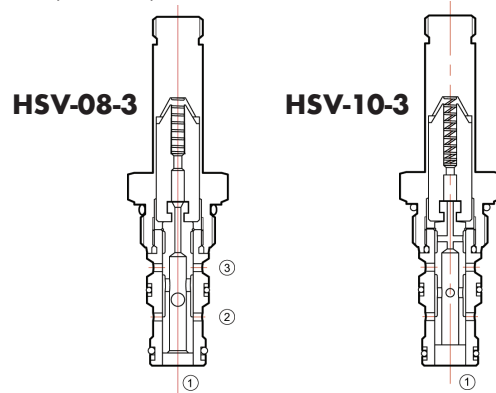
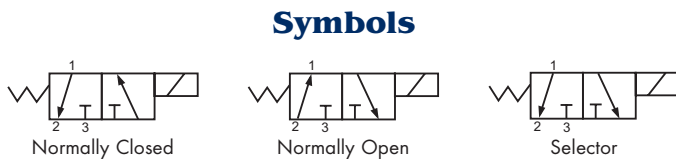


FEATURES

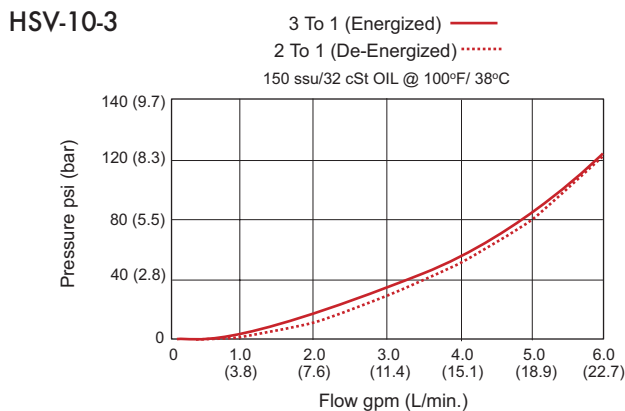
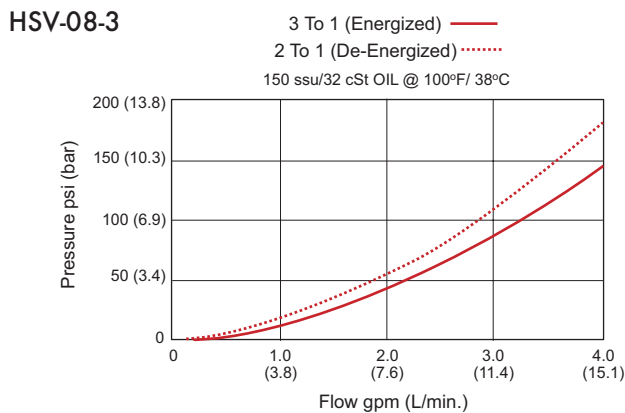
- ✓ Continuous Duty Solenoid
- ✓ Hardened Precision Spool and Sleeve for Long Life
- ✓ Efficient Wet-Armature Construction
- ✓ Optional Coil Voltages and Terminations
- ✓ Manual Override Option
- ✓ Industry Common Cavity
- ✓ Compact Size

Specifications

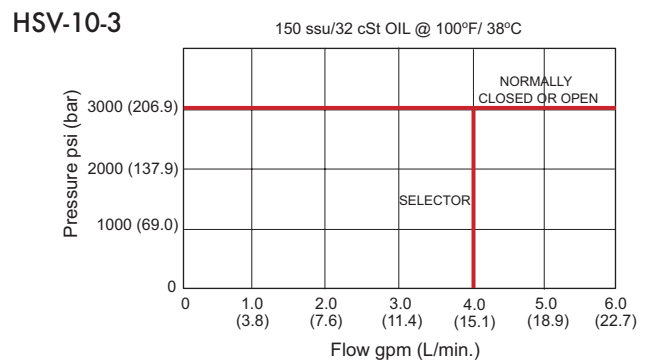
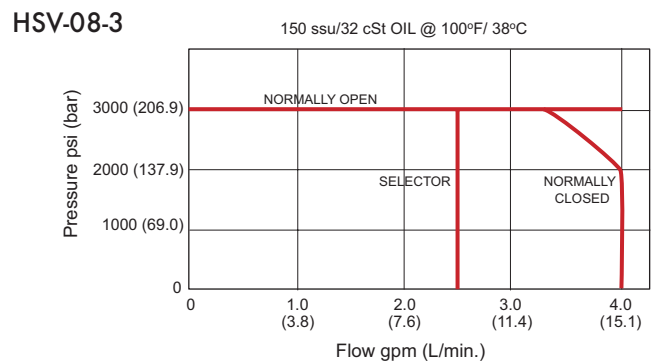
1. Operating Pressure: 3000 PSI, (207 Bar)
2. Temperature: -30°F - +250°F (-35°C - +120°C)
3. Coil Rating: Continuous from 85% to 100% of rated voltage
4. Fluids: Mineral based fluids. For other fluid compatibility consult factory.
5. Recommended Filtration: ISO 16/12
6. Body Material: Anodized 6061T6 aluminum alloy rated at 3000 PSI (207 Bar)



Pressure Drop Curves

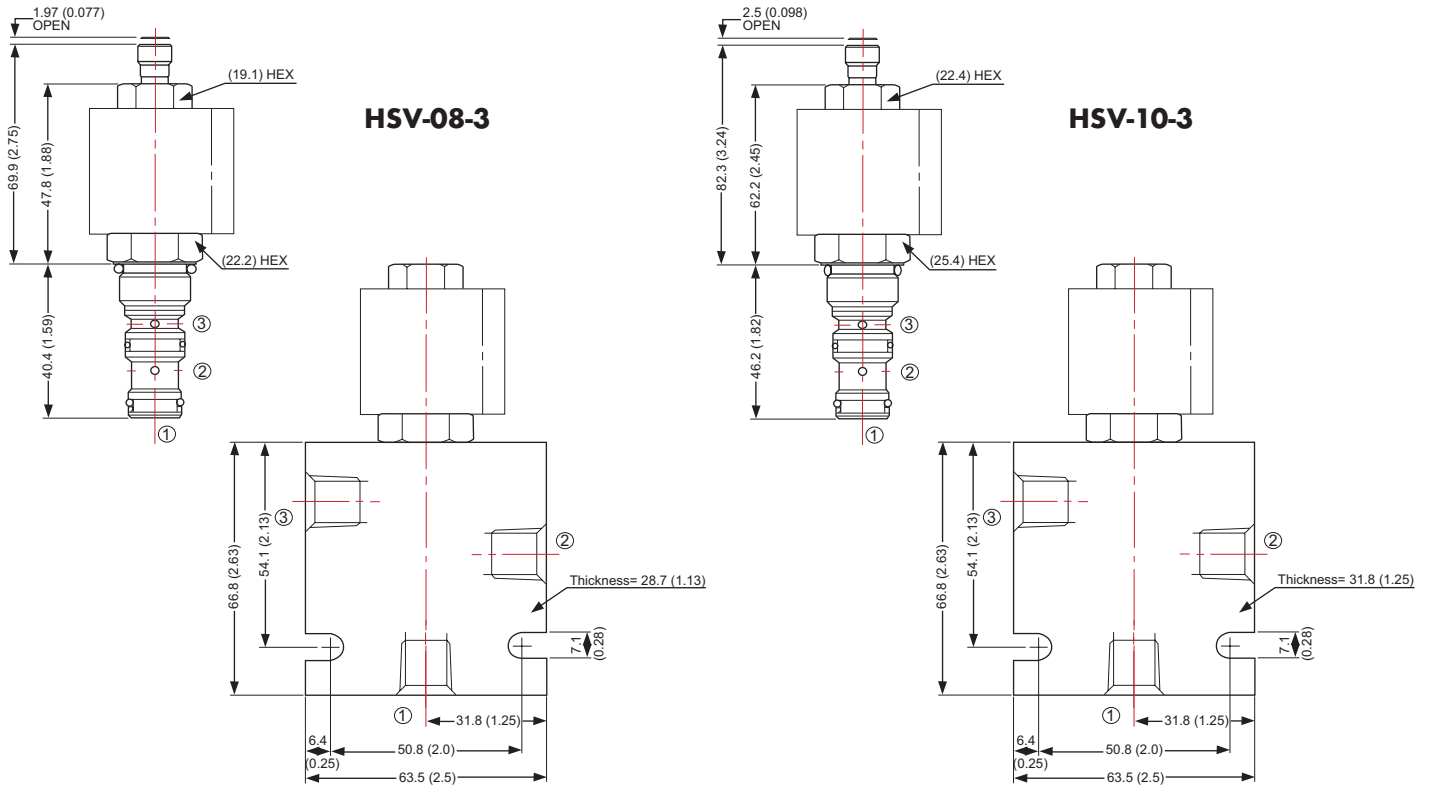


Performance Characteristics



Dimensional Data

Units: mm (inch)



ORDERING INFORMATION



CARTRIDGE SOLENOID VALVE PART NUMBERING SYSTEM:

HSV-08-3 - 115A-6FS

