

CARTRIDGE VALVES

SOLENOID VALVES



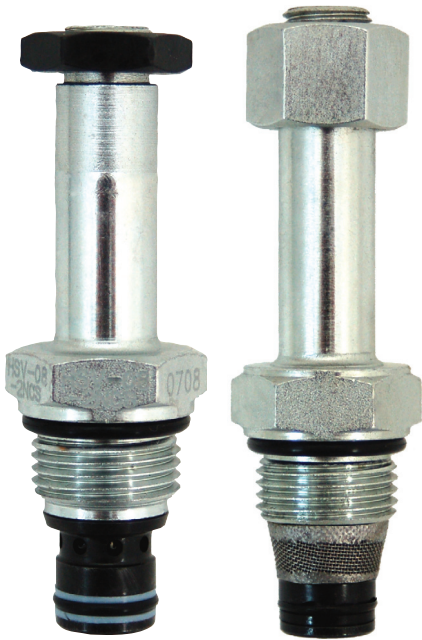
2 Way, 2 Position, Spool/ Poppet Type

FEATURES

- ✓ Continuous Duty Solenoid
- ✓ Efficient Wet-Armature Construction
- ✓ Optional Coil Voltages and Terminations
- ✓ Industry Common Cavity
- ✓ Compact Size

Specifications

1. Operating Pressure: 3000-4000 PSI, (207-275 Bar)
2. Temperature: -30°F - +250°F (-35°C - +120°C)
3. Coil Rating: Continuous from 85% to 100% of rated voltage
4. Fluids: Mineral based fluids. For other fluid compatibility consult factory.
5. Recommended Filtration: ISO 16/12
6. Body Material: Anodized 6061T6 aluminum alloy rated at 3000 PSI (207 Bar)

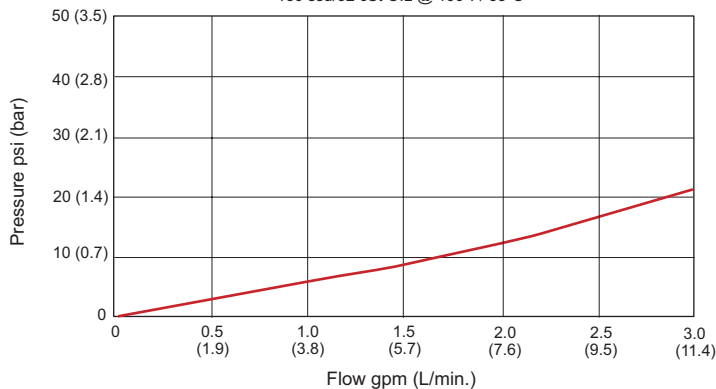


Solenoid Valves

Pressure Drop Curves

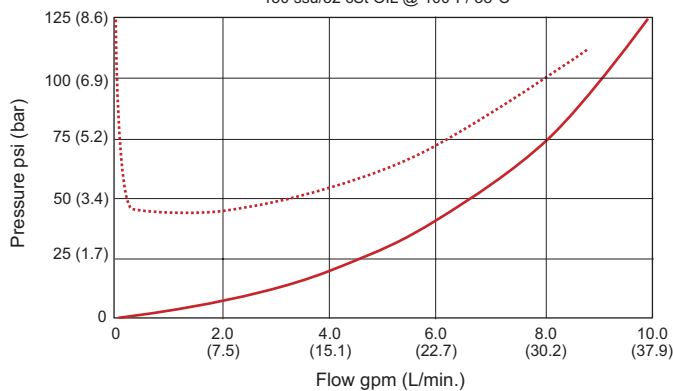
HSV-08-2NCS

2 To 1 or 1 To 2 (Energized)
150 ssu/32 cSt OIL @ 100°F/ 38°C



HSV-08-2NOP

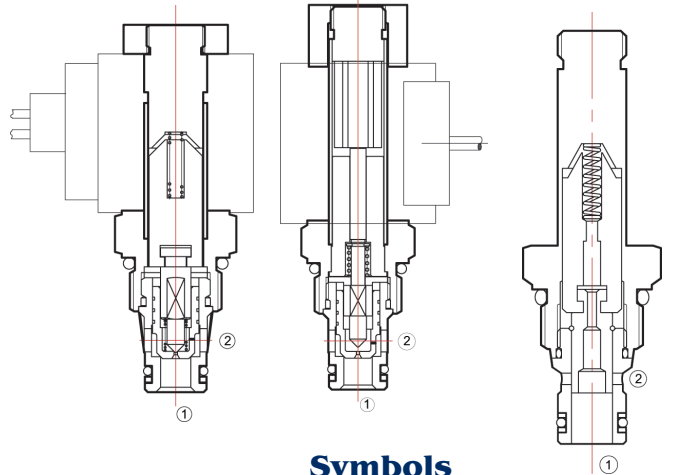
2 To 1 — 1 To 2
150 ssu/32 cSt OIL @ 100°F/ 38°C



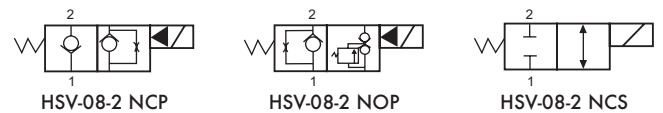
HSV-08-2NCP

HSV-08-2NOP

HSV-08-2NCS

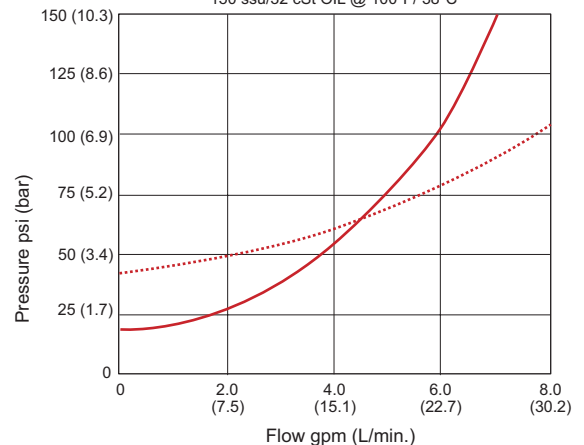


Symbols



HSV-08-2NCP

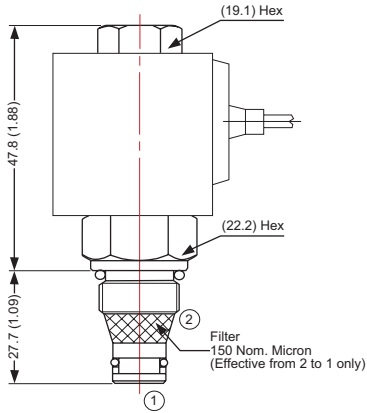
2 To 1 — 1 To 2
150 ssu/32 cSt OIL @ 100°F/ 38°C



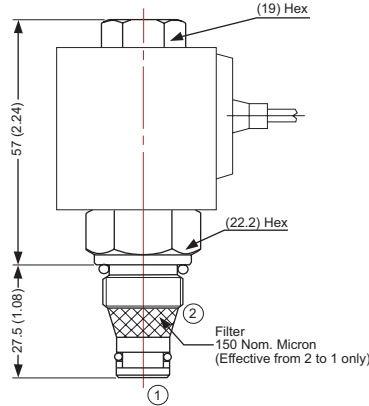
Dimensional Data

Units: mm (inch)

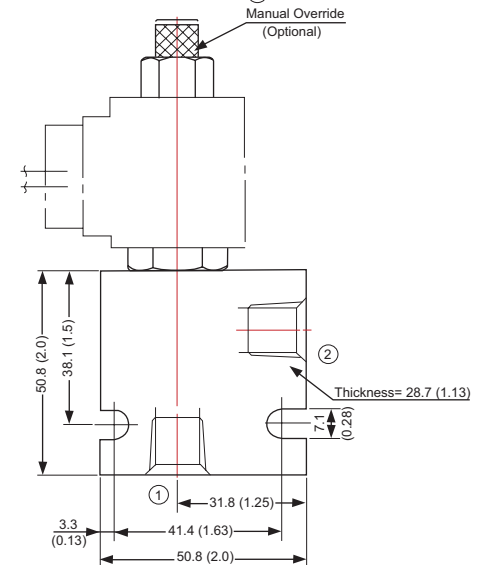
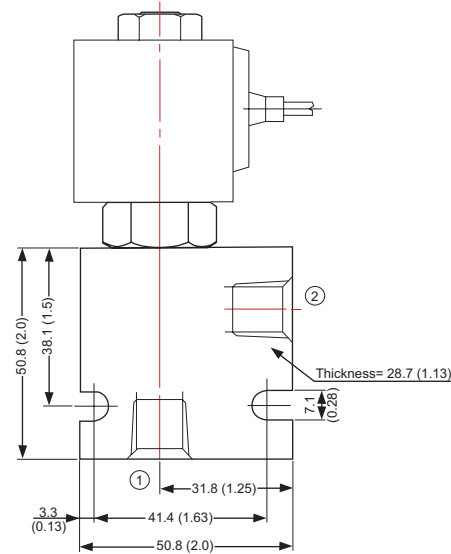
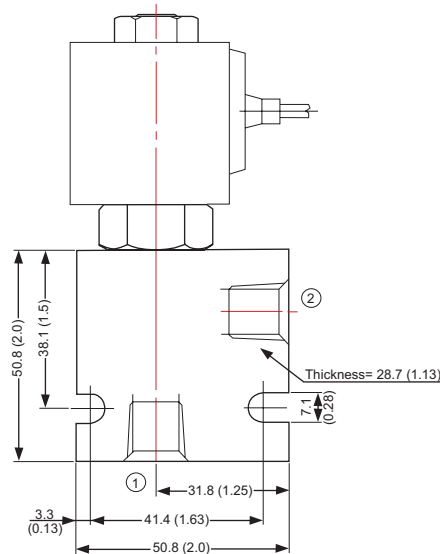
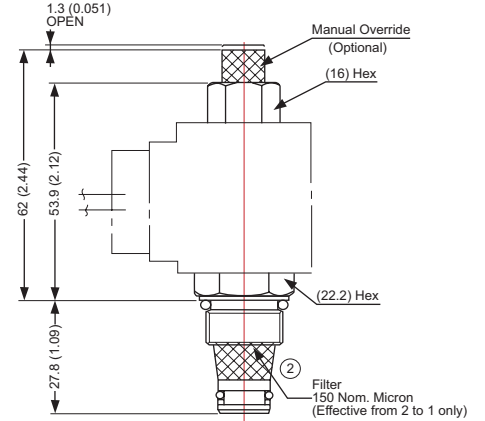
HSV-08-2NCS



HSV-08-2NOP



HSV-08-2NCP



ORDERING INFORMATION



CARTRIDGE SOLENOID VALVE PART NUMBERING SYSTEM:

HSV-08-2-NCS-115A-6FS

