

CARTRIDGE VALVES

SHUTTLE VALVES



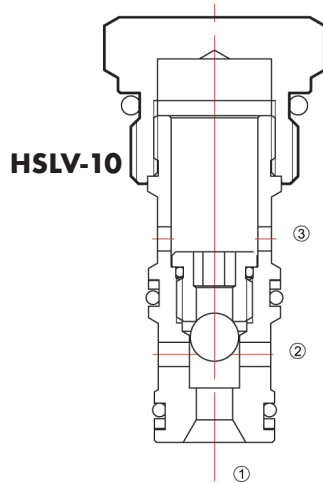
SAE8

FEATURES

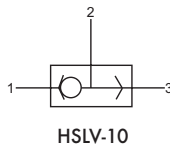
- ✓ Excellent Response to Pressure Changes
- ✓ Hardened Working Parts for Long Life
- ✓ Low Leakage
- ✓ Industry Common Cavity
- ✓ Compact Size

Specifications

1. Operating Pressure: 3000 PSI, (207 Bar)
2. Temperature: -30°F - +250°F (-35°C - +120°C)
3. Fluids: Mineral based fluids. For other fluid compatibility consult factory.
4. Recommended Filtration: Critical Application: ISO 16/12
Non-Critical Application: ISO 19/15
5. Body Material: Anodized 6061T6 aluminum alloy rated at 3000 PSI (207 Bar)



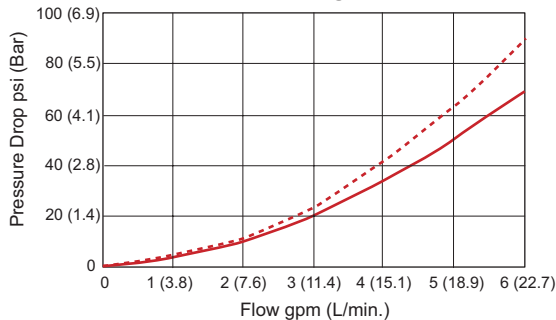
Symbol



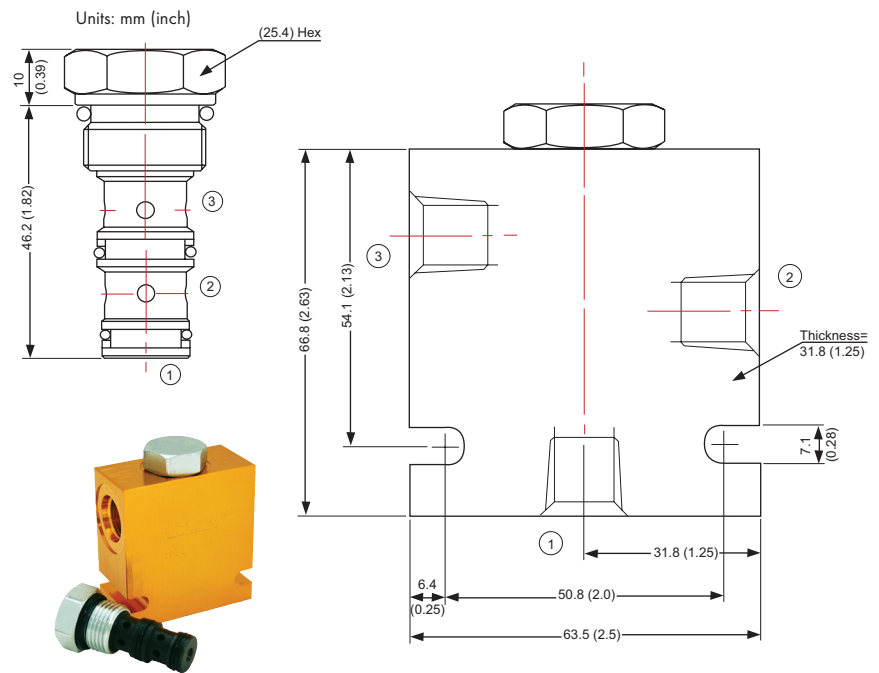
Flow Characteristics

HSLV-10

1 to 2 (Free Flow)
3 to 2 - - - (Free Flow)
150 ssu/32 cSt OIL @ 100°F/ 38°C



Dimensional Data



ORDERING INFORMATION



CARTRIDGE SHUTTLE VALVE PART NUMBERING SYSTEM:

HSLV-10-8FS

