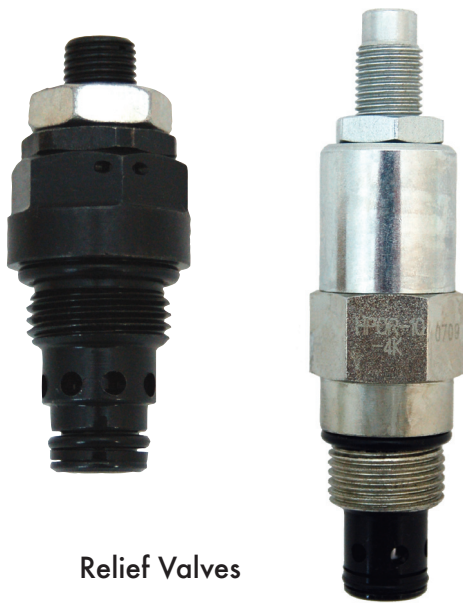


CARTRIDGE VALVES

RELIEF VALVES



SAE6 & SAE8



Relief Valves

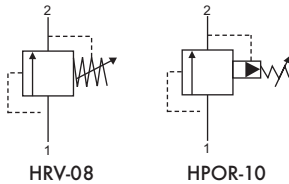
FEATURES

- ✓ Rapid Response to Pressure Surges
- ✓ Hardened Parts for Long Life
- ✓ Adjustment May Be Locked in Place
- ✓ Industry Common Cavity
- ✓ Compact Size

Specifications

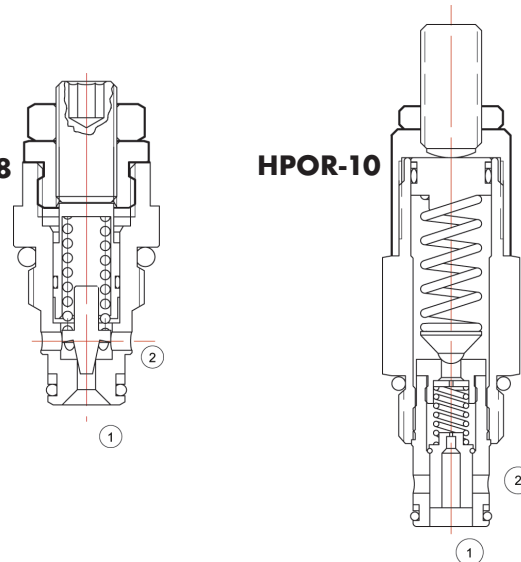
1. Operating Pressure: 3000 PSI, (207 Bar)
2. Temperature: -30°F - +250°F (-35°C - +120°C)
3. Fluids: Mineral based fluids. For other fluid compatibility consult factory.
4. Recommended Filtration: ISO 19/15
5. Body Material: Anodized 6061T6 aluminum alloy rated at 3000 PSI (207 Bar)

Symbols



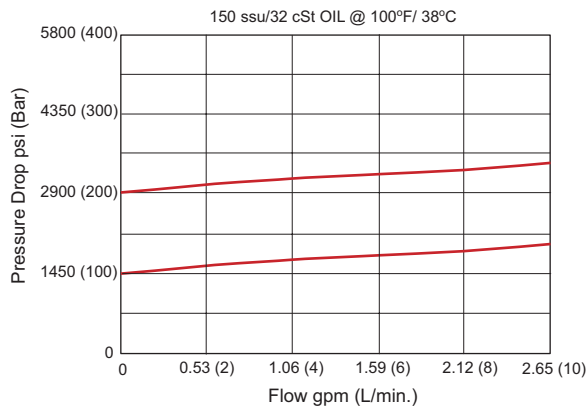
HRV-08

HPOR-10

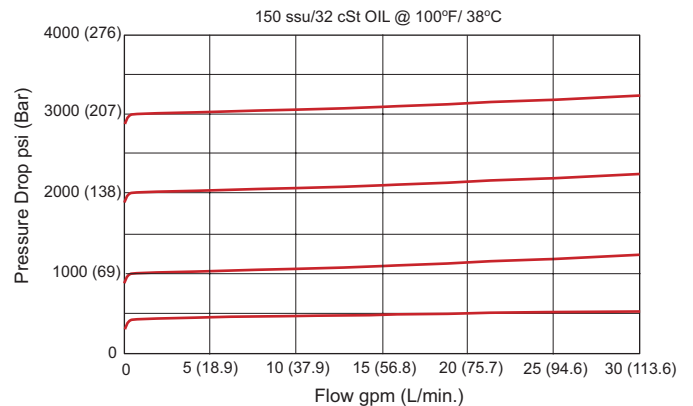


Pressure Drop Curves

HRV-08



HPOR-10



CARTRIDGE VALVES

RELIEF VALVES

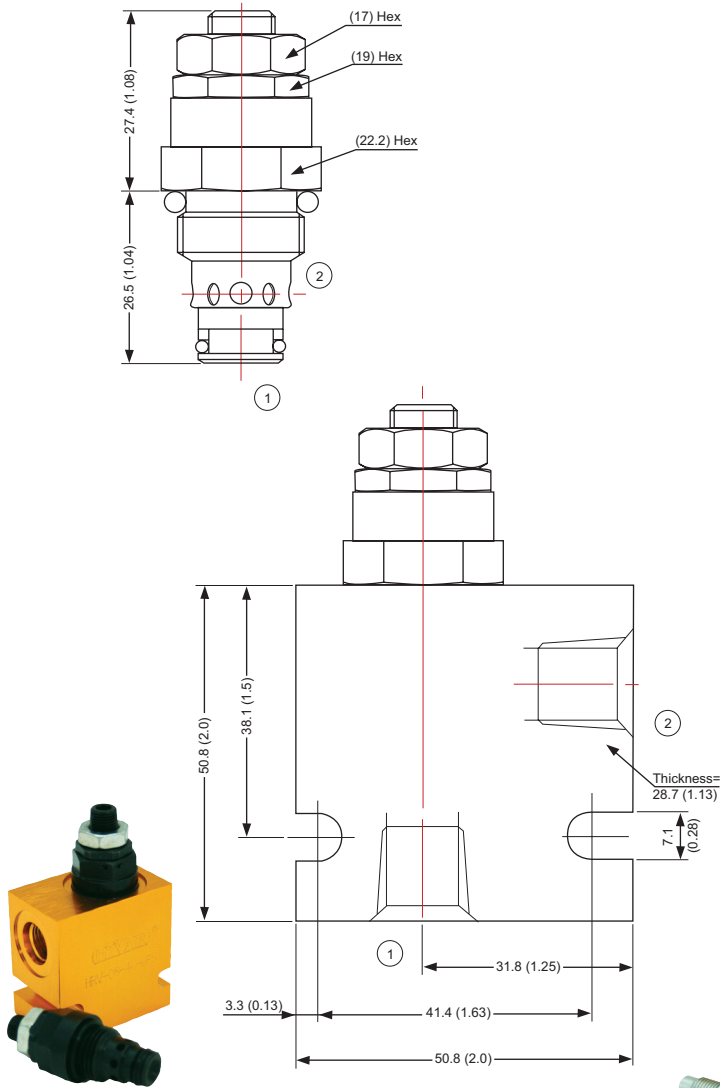


SAE6 & SAE8

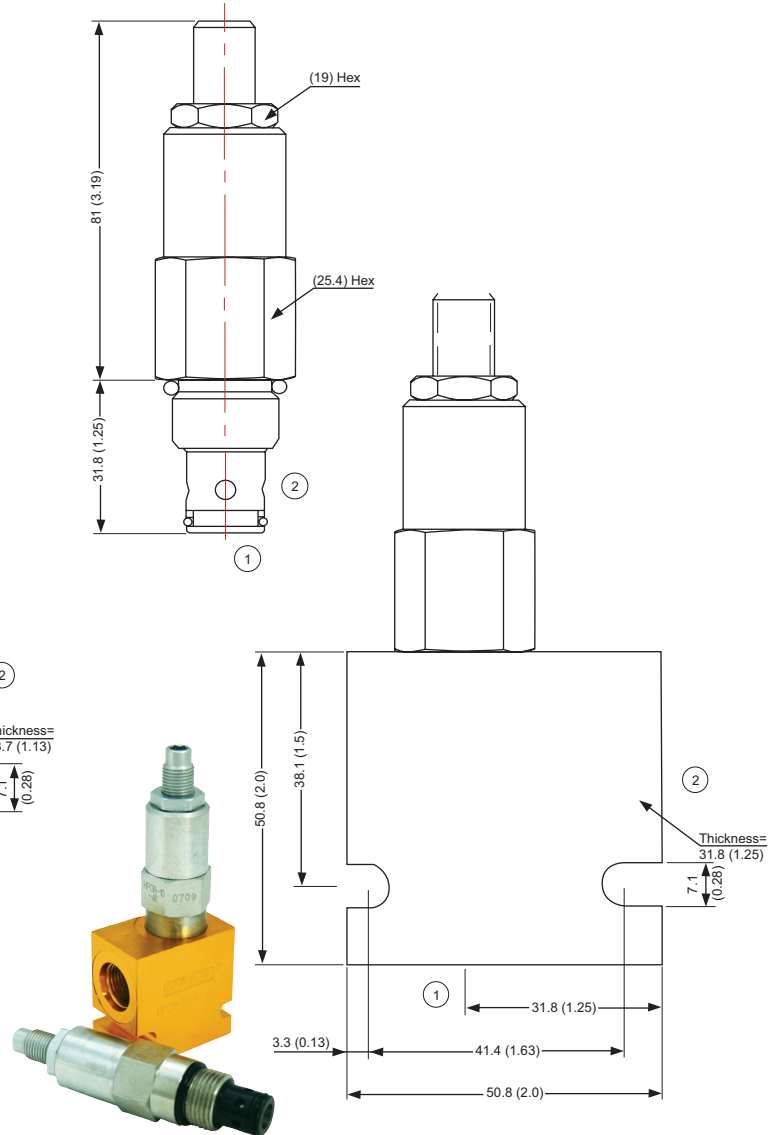
Units: mm (inch)

Dimensional Data

HRV-08



HPOR-10



ORDERING INFORMATION



CARTRIDGE RELIEF VALVE PART NUMBERING SYSTEM:

HPOR-10-4K-8FS

Code	Description	Cavity	Code	Function	Code	Body Porting
HRV	Adjustable, Direct-Acting	08	4K	Adj. 600 - 4000	omit	Cartridge Only
HPOR	Adjustable, Pilot Operated	10			6FS	SAE6
					8FS	SAE8