

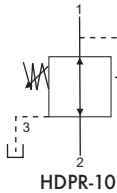
FEATURES

- ✓ Adjustments Cannot Be Backed Out of the Valve
- ✓ Adjustments Prohibit Springs from Going Solid
- ✓ Optional Spring Ranges to 2250 psi (155 Bar)
- ✓ Hardened Spool and Cage for Long Life
- ✓ Industry Common Cavity

Specifications

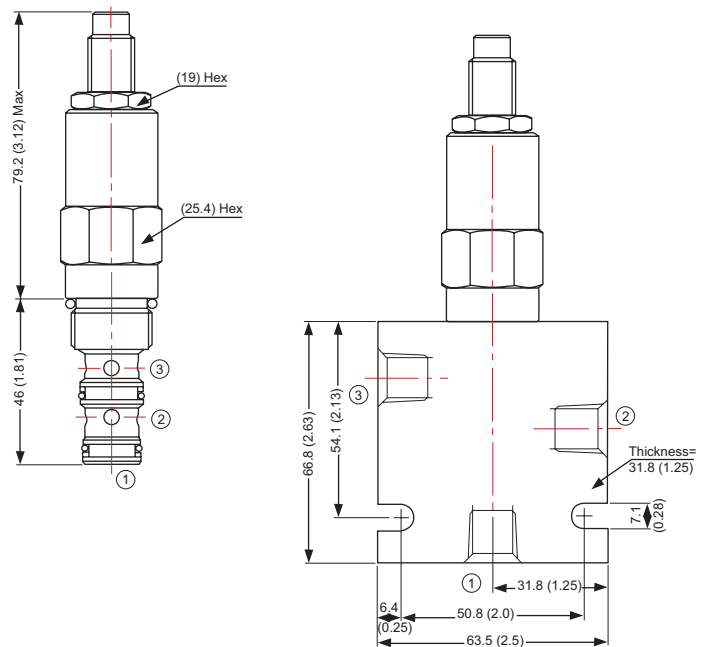
1. Operating Pressure: 3000 PSI, (207 Bar)
2. Temperature: -30°F - +250°F (-35°C - +120°C)
3. Fluids: Mineral based fluids. For other fluid compatibility consult factory.
4. Recommended Filtration: Critical Application: ISO 16/12
Non-Critical Application: ISO 19/15
5. Body Material: Anodized 6061T6 aluminum alloy rated at 3000 PSI (207 Bar)

Symbol

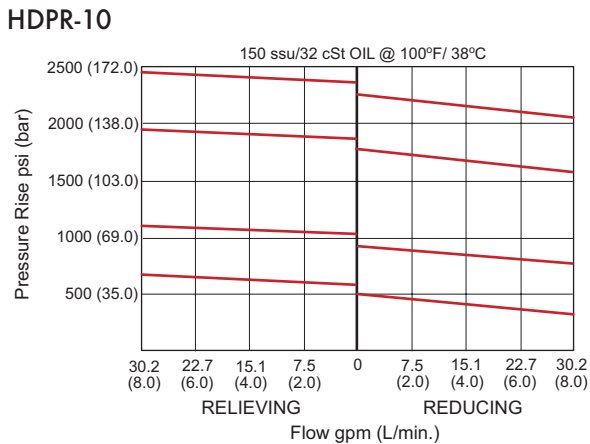


Dimensional Data

Units: mm (inch)



Pressure Drop Curves



ORDERING INFORMATION



CARTRIDGE PRESSURE REDUCING/ RELIEVING VALVE PART NUMBERING SYSTEM:

HDPR-10-400-8FS

Code	Description	Cavity	Code	Spring Range	Code	Body Porting
HDPR	Direct Acting, Pressure Reducing/ Relieving Valve	10	400	70 - 400 psi	omit	Cartridge Only
			800	160 - 800 psi	8FS	SAE8
			1450	320 - 1450 psi		
			2.2K	700 - 2200 psi		