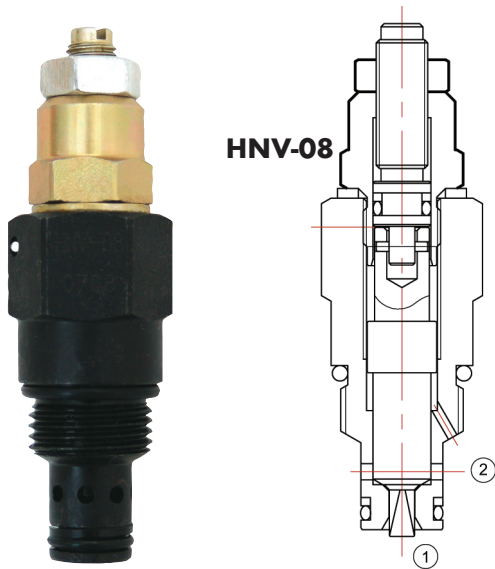


# CARTRIDGE VALVES

## NEEDLE VALVES



SAE6



HNV-08

### FEATURES

- ✓ Hardened Seat for Long Life
- ✓ Zero Leakage at Shut-Off
- ✓ Adjustment May be Locked in Place
- ✓ Industry Common Cavity
- ✓ Compact Size

### Specifications

1. Operating Pressure: 3000 PSI, (207 Bar)
2. Temperature: -15°F - +250°F (-26°C - +120°C)
3. Fluids: Mineral based fluids. For other fluid compatibility consult factory.
4. Recommended Filtration: ISO 19/15
5. Body Material: Anodized 6061T6 aluminum alloy rated at 3000 PSI (207 Bar)

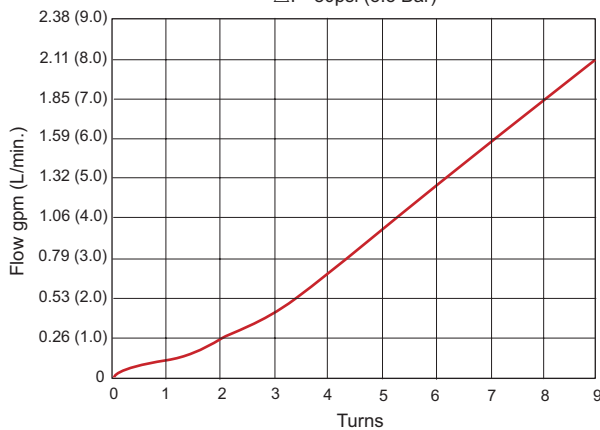
### Symbol



### Flow Characteristics

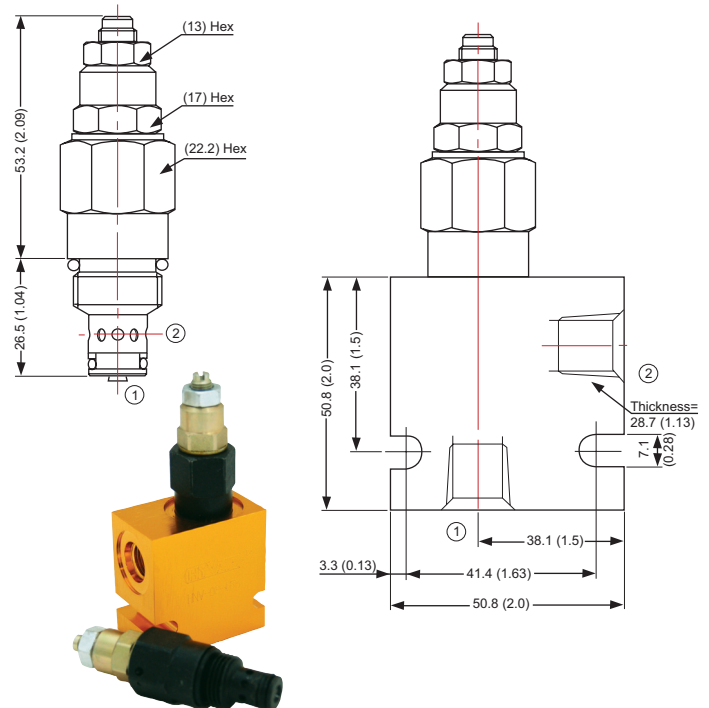
HNV-08

150 ssu/32 cSt OIL @ 100°F/ 38°C  
 $\Delta P=80\text{psi (5.5 Bar)}$



### Dimensional Data

Units: mm (inch)



### ORDERING INFORMATION



#### CARTRIDGE NEEDLE VALVE PART NUMBERING SYSTEM:

#### HNV-08-6FS

