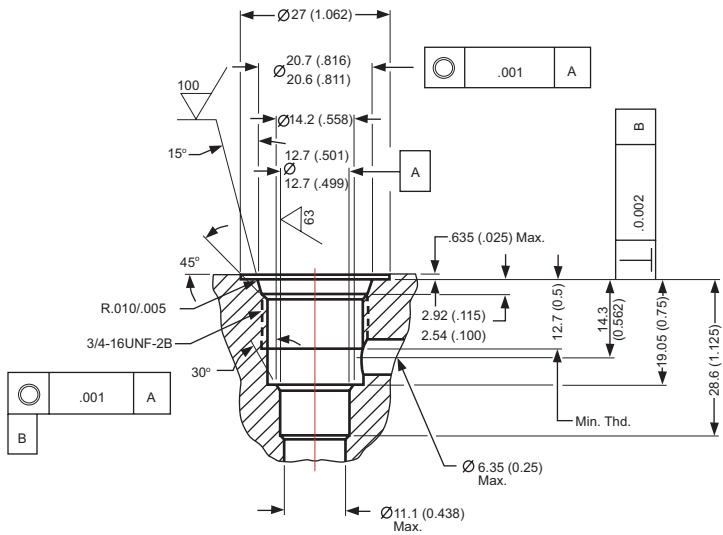


## Dimensional Data

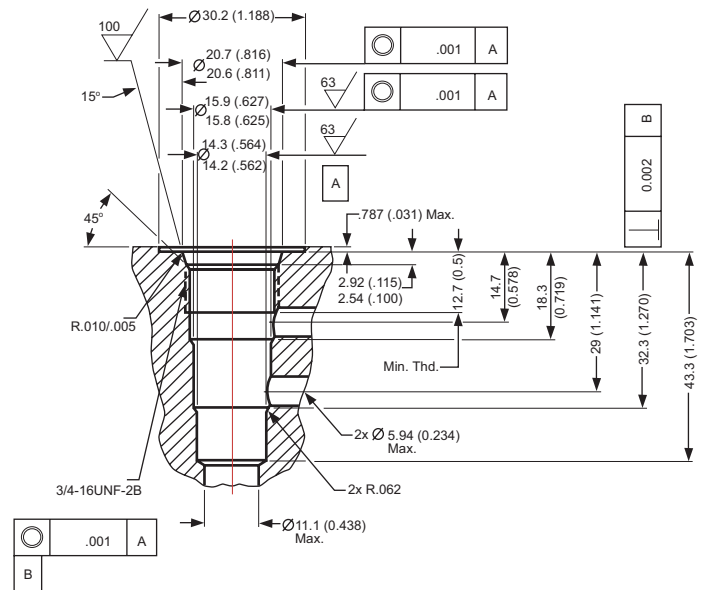
SIZE 08

Units: mm (inch)

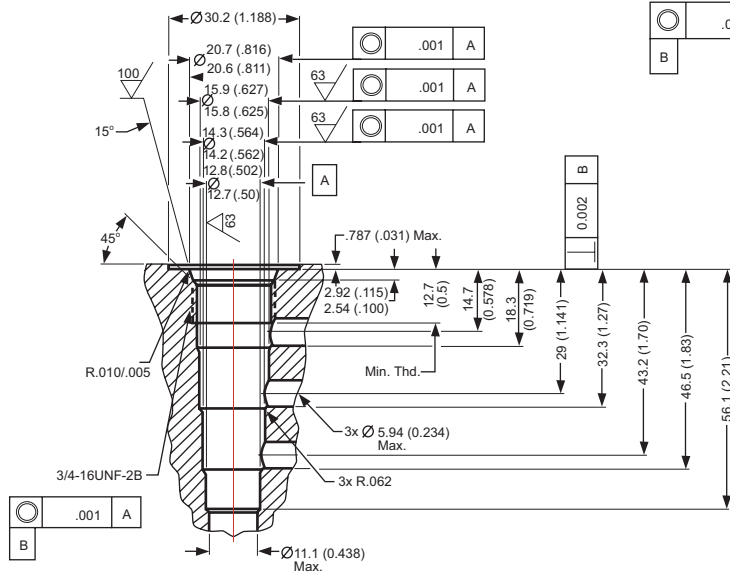
### LB-08-2



### LB-08-3

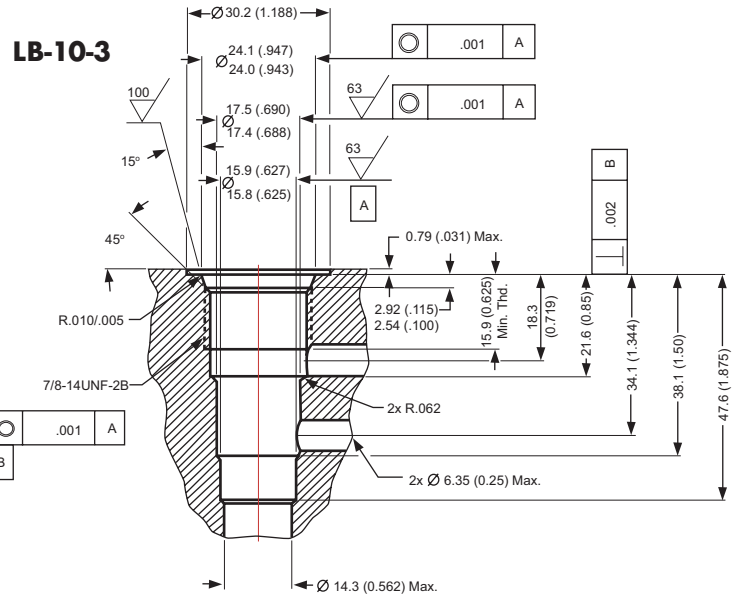
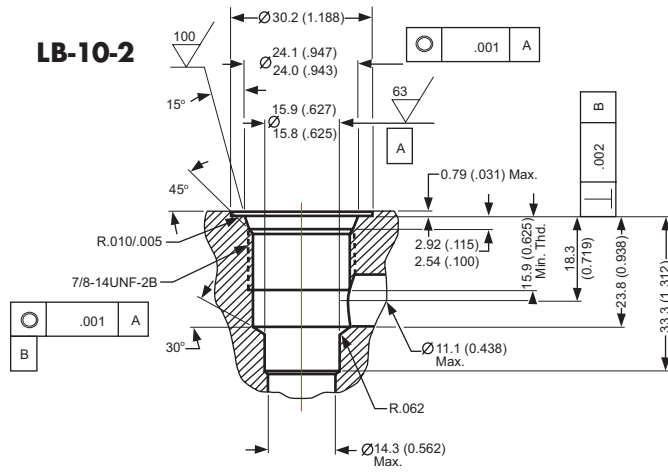


### LB-08-4



Units: mm (inch)

### Dimensional Data



### ORDERING INFORMATION



CARTRIDGE LINE BODY PART NUMBERING SYSTEM:

**LB-08-3-8FS**

