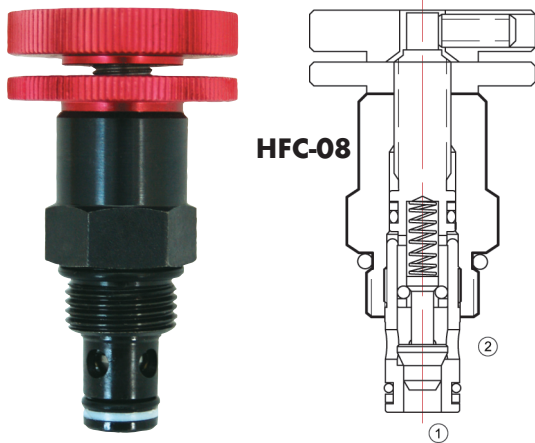


# CARTRIDGE VALVES

FLOW CONTROL VALVES



SAE6



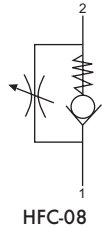
## FEATURES

- ✓ Hardened Poppet and Seat for Long Life
- ✓ Full Range of Adjustments
- ✓ Adjustment May be Locked in Place
- ✓ Industry Common Cavity
- ✓ Compact Size

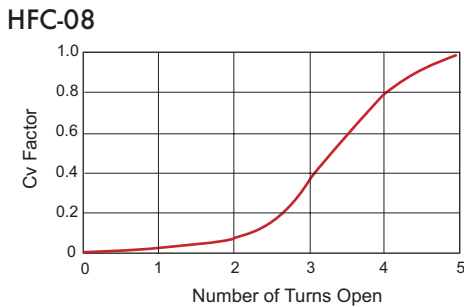
## Specifications

1. Operating Pressure: 3000 PSI, (207 Bar)
2. Temperature: -30°F - +250°F (-35°C - +120°C)
3. Fluids: Mineral based fluids. For other fluid compatibility consult factory.
4. Recommended Filtration: ISO 19/15
5. Body Material: Anodized 6061T6 aluminum alloy rated at 3000 PSI (207 Bar)

## Symbol



## Pressure Drop Curves



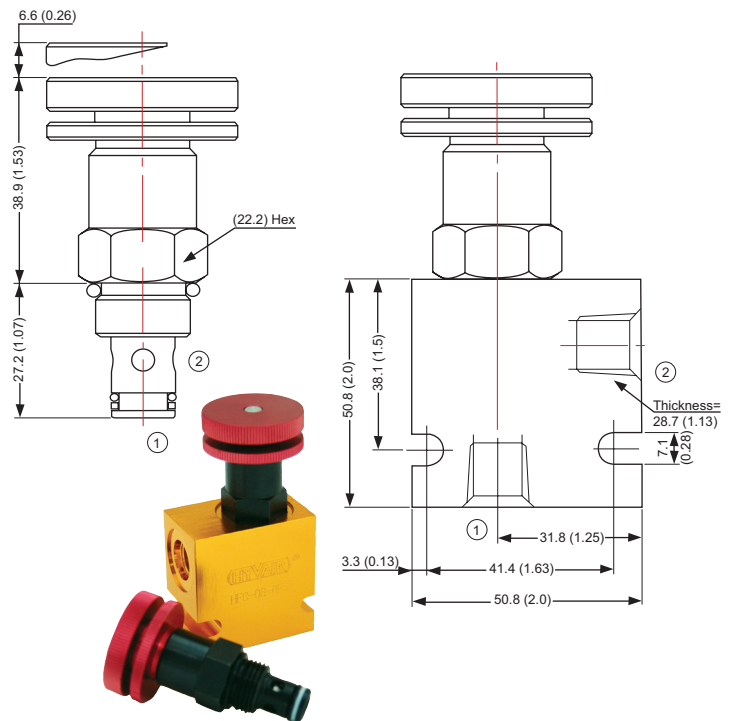
$$\text{FLOW IN GPM} = \frac{C_v \sqrt{P_1 - P_2}}{G_f}$$

Cv=Flow Coefficient  
 P1=Inlet Pressure (psi)  
 P2=Outlet Pressure (psi)

Gf=specific gravity of medium at operating temperature in °F.

## Dimensional Data

Units: mm (inch)



## ORDERING INFORMATION



CARTRIDGE FLOW CONTROL VALVE PART NUMBERING SYSTEM:

**HFC-08-6FS**

Code	Description	Cavity	Code	Body Porting
HFC	Adjustable, Flow Control Valve	08	omit	Cartridge Only
			6FS	SAE6