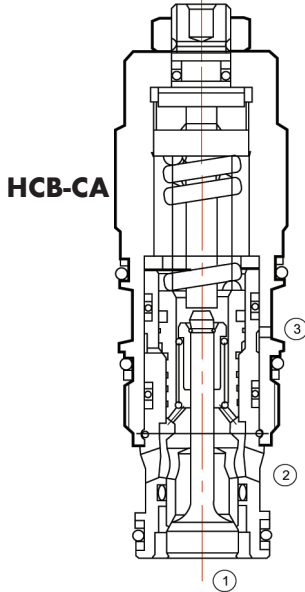


# CARTRIDGE VALVES

## COUNTERBALANCE VALVES



SAE6 & SAE8



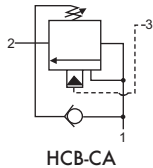
### FEATURES

- ✓ Counterbalance Valves Should Be Set at Least 1.3 Times the Maximum Load Induced Pressure
- ✓ Turn Adjustment Counterclockwise to Decrease Setting and Release Load
- ✓ Backpressure at Port 2 Adds to the Effective Relief Setting at a Ratio of 1 Plus the Pilot Times the Backpressure

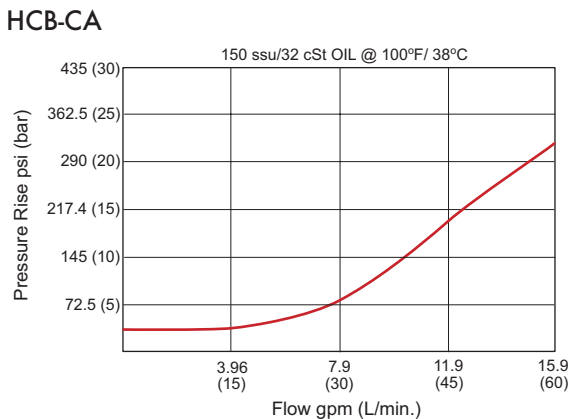
### Specifications

1. Load Holding Pressure: 3100 PSI, (215 Bar)
2. Temperature: -30°F - +250°F (-35°C - +120°C)
3. Fluids: Mineral based fluids. For other fluid compatibility consult factory.
4. Body Material: Steel rated at 5000 PSI (350 Bar)

### Symbol

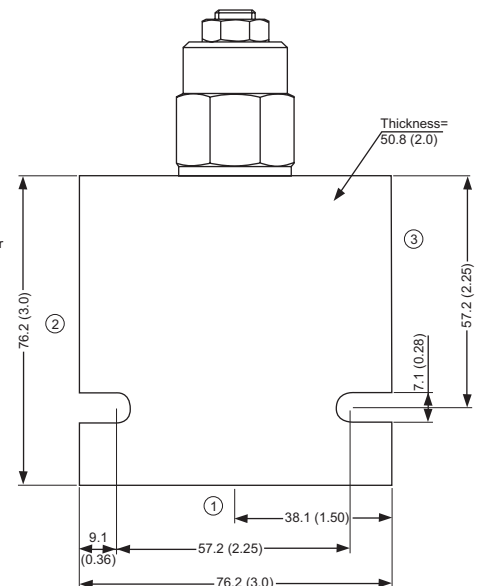
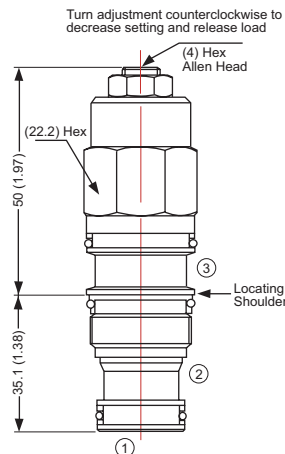


### Pressure Drop Curves



### Dimensional Data

Units: mm (inch)



## ORDERING INFORMATION



### CARTRIDGE COUNTERBALANCE VALVE PART NUMBERING SYSTEM:

#### HCB-C A-H-6FS

Code	Description	Flow	Pilot Ratio	Code	Spring Range	Code	Body Porting
HCB	Counterbalance Cartridge Valve	15 gpm	3:1	H	1000 - 4000 psi	omit	Cartridge Only
						6FS	SAE6
						8FS	SAE8