

HYDRAULIC POWER UNITS

VERTICAL TANK 1-5 GALLON



VTA & VTB Series

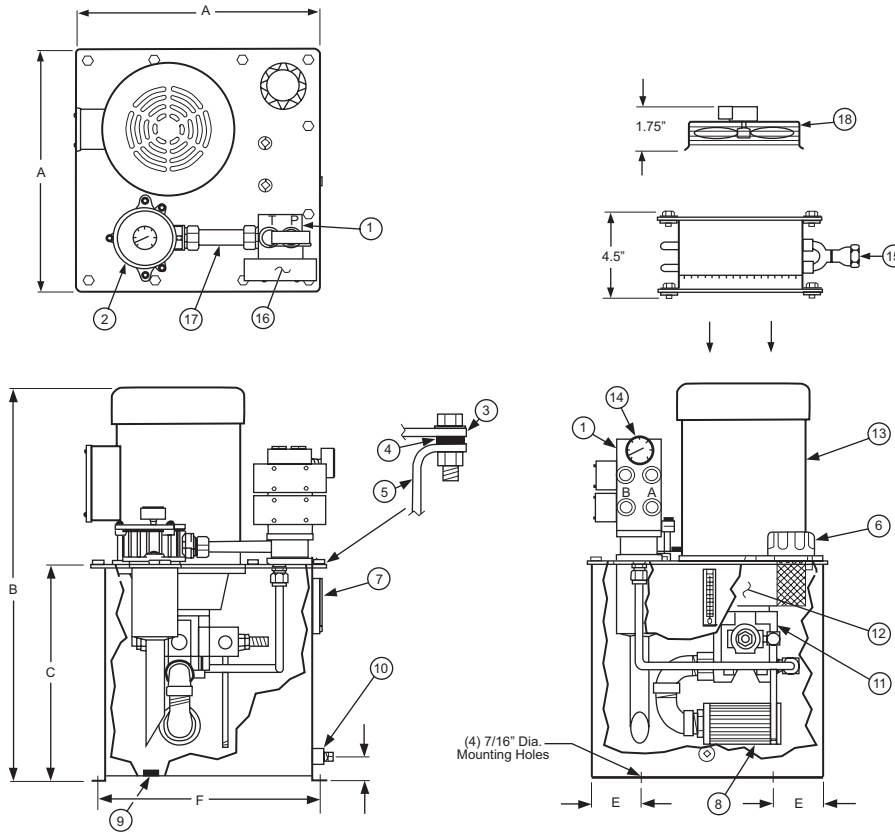
Features

- Flooded Suction:** Longer pump life; pump always stays submersed. No pump rusting during shut-down periods. Air bleed valves are not required.
- Color Code Identification:** Allows for easy identification of items.
- In-Tank Filter System:** Provides easy element replacement without line drainage and also stays within overall unit envelope dimensions.
- Removable Top Plate:** Removable top allows for easy reservoir cleaning. No leaky end bells that make access for cleaning difficult.
- Conserves Space:** While still allowing general maintenance, the vertical tank design saves floor space.



VTB5 Vertical Tank

Dimensional Data



ITEM IDENTIFICATION:

- MANIFOLD
 - RETURN FILTER (LID PAINTED YELLOW)
ITF100-8FS-10MNPE WITH HYV-1 GAUGE
 - TANK LID
 - RUBBERIZED GASKET
 - TANK BODY
 - FILLER/ BREATHER #FB-12S- 3& 5 GALLON,
#TA46F FOR 1 GALLON
 - SIGHT & TEMPERATURE GAUGE:
#SLG3 FOR 3 GALLON
#SLG5 FOR 5 GALLON
(NOT INCLUDED ON 1 GALLON UNITS)
 - SUCTION STRAINER
 - MAGNETS (1 PER 5 GALLONS)
 - DRAIN PLUG
 - PUMP
 - PUMP MOTOR ADAPTER (ORANGE COVER)
 - ELECTRIC MOTOR- NOW CAST IRON
STANDARD IF 3 PHASE, 1HP AND LARGER
 - PRESSURE GAUGE WITH SNUBBER
 - HEAT EXCHANGER (OPTIONAL):
HE45-V, NO FAN
HE45-VF, WITH FAN
 - MULTIPLE VALVE COMBINATIONS- (MAY
EXCEED OVERALL ENVELOPE DIMENSIONS
DEPENDING ON VALVING)
 - PRE-PLUMBED TANK LINE
 - HEAT EXCHANGER FAN Y110099 (OPTIONAL)
4.7" DIA., 15.2WATTS, 115 VAC, 0.25 AMP
24" FREE LEADS FOR CONNECTION
- PAINT (OPTIONAL)**
 COLOR CODES:
 BLUE- UNIT COLOR PAINT
 ORANGE- DANGER
 YELLOW- MAINTENANCE
 GRAY- ELECTRICAL

Model Number	Reservoir Capacity	Dimensions (Inches)					
		A	B Max. (with 2 HP*)	C	D	E	F
VTA1	1 Gallon	10.0	20.1	8.4	1.75	1.5	10
VTB3	3 Gallon	12.5	22.5	9.8	1.75	1.5	12.5
VTB5	5 Gallon	12.5	24.5	12.8	1.75	1.5	12.5

*2 HP standard 1800 RPM 230/460V, 3 phase motor.
(Only NEMA sizes 56C thru 145C may be used with the VTA and VTB reservoirs)



HYDRAULIC POWER UNITS

VERTICAL TANK 5-40 GALLON



VTC & VTF Series

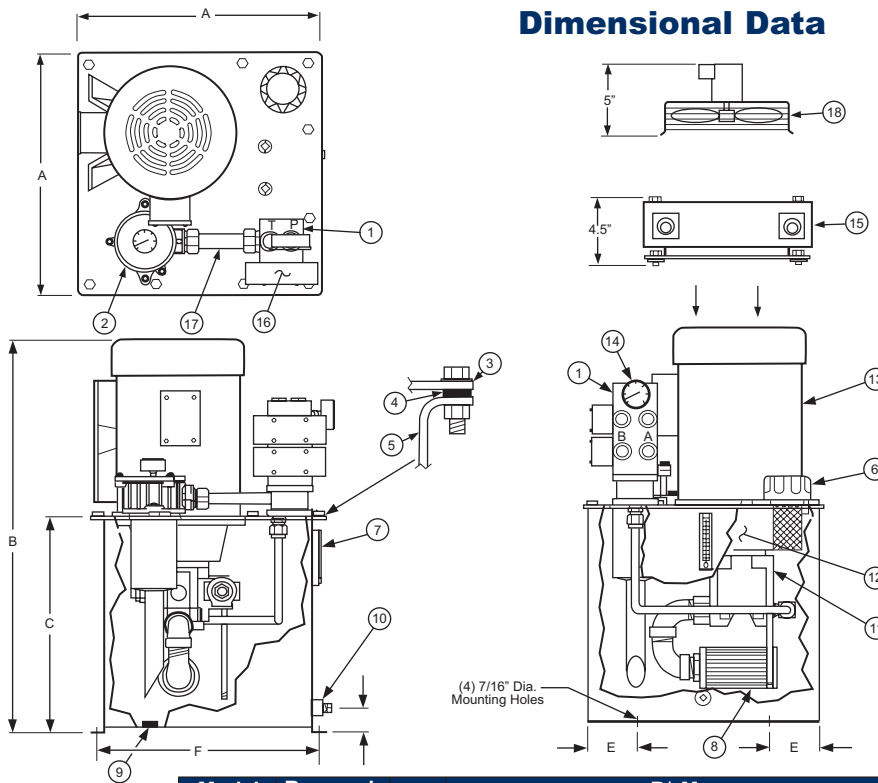


Features

- Most Versatile:** Many pumps available in this series.
- Flooded Suction:** Longer pump life; pump always stays submerged. No pump rusting during shut-down periods. Air bleed valves are not required.
- Color Code Identification:** Allows for easy identification of items.
- In-Tank Filter System:** Provides easy element replacement without line drainage and also stays within overall unit envelope dimensions.
- Removable Top Plate:** Removable top allows for easy reservoir cleaning. No leaky end bells that make access for cleaning difficult.
- Conserves Space:** While still allowing general maintenance, the vertical tank design saves floor space.

VTF40 & VTC 15 Vertical Tank

Dimensional Data



ITEM IDENTIFICATION:

- MANIFOLD
- RETURN FILTER (LID PAINTED YELLOW)
ITF100-8FS-10MNPPE WITH HYV-1 GAUGE
- TANK LID
- RUBBERIZED GASKET
- TANK BODY
- FILLER/ BREATHER #FB-12S
- SIGHT & TEMPERATURE GAUGE #SLG5
- SUCTION STRAINER
- MAGNETS (1 PER 5 GALLONS)
- DRAIN PLUG
- PUMP
- PUMP MOTOR ADAPTER (ORANGE COVER)
- ELECTRIC MOTOR- CAST IRON STANDARD
(EXCEPT SINGLE PHASE MOTORS)
- PRESSURE GAUGE WITH SNUBBER
- HEAT EXCHANGER (OPTIONAL):
HE90V- NO FAN
HE90VF- WITH FAN
- MULTIPLE VALVE COMBINATIONS- (MAY
EXCEED OVERALL ENVELOPE DIMENSIONS
DEPENDING ON VALVING)
- PRE-PLUMBED TANK LINE
- HEAT EXCHANGER FAN Y110104 (OPTIONAL)
7" DIA., 1/30 HP, 115 VAC, 1AMP

PAINT (OPTIONAL)

COLOR CODES:
BLUE- UNIT COLOR PAINT
ORANGE- DANGER
YELLOW- MAINTENANCE
GRAY- ELECTRICAL

Model Number	Reservoir Capacity	A	B* Max.						C	D	E	F
			3 HP	5 HP	7.5 HP	10 HP	15 HP	20 HP				
VTC5	5 Gallon	16	24.0	25.0	27.3	28.9	N/A	N/A	11.3	1.7	3.5	15.2
VTC10	10 Gallon	16	27.5	28.5	30.8	32.4	N/A	N/A	14.8	1.7	3.5	15.2
VTC15	15 Gallon	16	33.0	34.0	36.3	37.9	N/A	N/A	20.3	1.7	3.5	15.2
VTC20	20 Gallon	16	38.3	39.3	41.6	43.2	N/A	N/A	25.6	1.7	3.5	15.2
VTF25	25 Gallon	19.5	34.1	36.1	37.4	39.0	41.0	42.0	21.4	1.7	3.5	18.7
VTF30	30 Gallon	19.5	37.9	39.9	41.2	42.8	44.8	45.9	25.3	1.7	3.5	18.7
VTF35	35 Gallon	19.5	41.8	43.8	45.1	46.7	48.7	49.8	29.2	1.7	3.5	18.7
VTF40	40 Gallon	19.5	45.7	47.7	49.0	50.6	52.6	53.7	33.1	1.7	3.5	18.7

Dimensions (Inches)

*Standard 1800 RPM, TEFC, 230/460V, 3 phase motor.



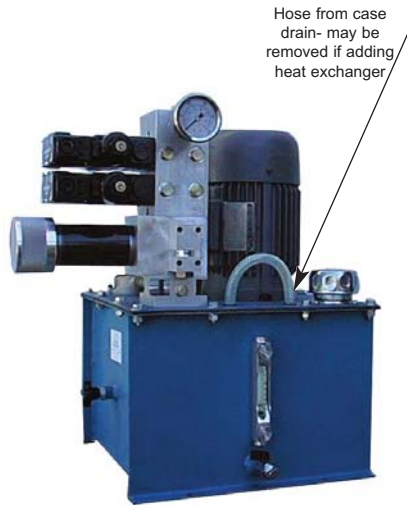
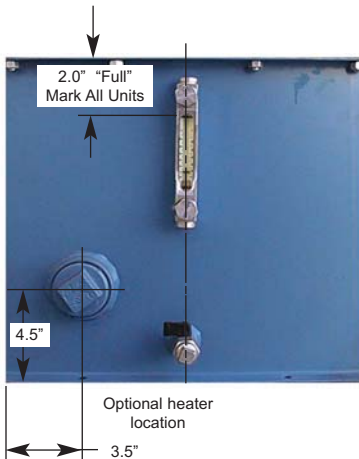
HYDRAULIC POWER UNITS

VERTICAL TANK 5-40 GALLON



VTC Series

ALL reservoir capacities actually larger than stated for a 2" air gap allowance to full mark on sight glass.

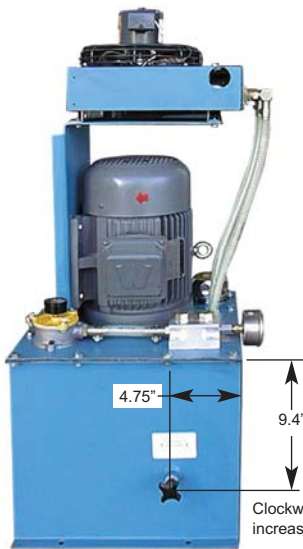


VTC5-3HPC3-PCV5 Vertical Tank with PF4 Modular Pressure Filter



VTC5-7.5HPC3-G5 Vertical Tank: 1 station VTE-D03-1R manifold with integral relief valve and HE90 return line cooler

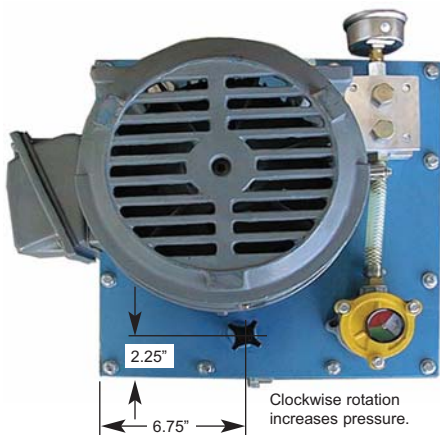
Sight gauge face may be rotated to any side.



VTC10-5HPC3-PCV8 Vertical Tank with HE90-VF Heat Exchanger and D0305-OB Outlet Block

D03 or D05 manifolds may be added of any length.

Sight gauge face must be supplied as shown.



VTC10-5HPC3-PCP4 Vertical Tank with D0305-OB Outlet Block

D03 or D05 manifolds may be added of any length.

Sight gauge face may be rotated to any side.



HYDRAULIC POWER UNITS

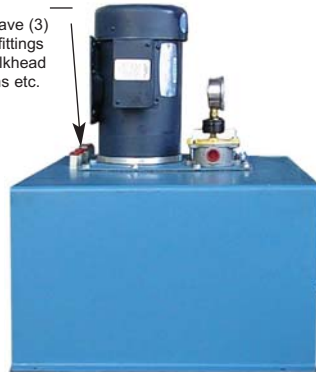
VERTICAL TANK 18 & 24 GALLON



VTD Series



All VTD units have (3) 3/8" bulkhead fittings and (1) 1/2" bulkhead fitting for drains etc.



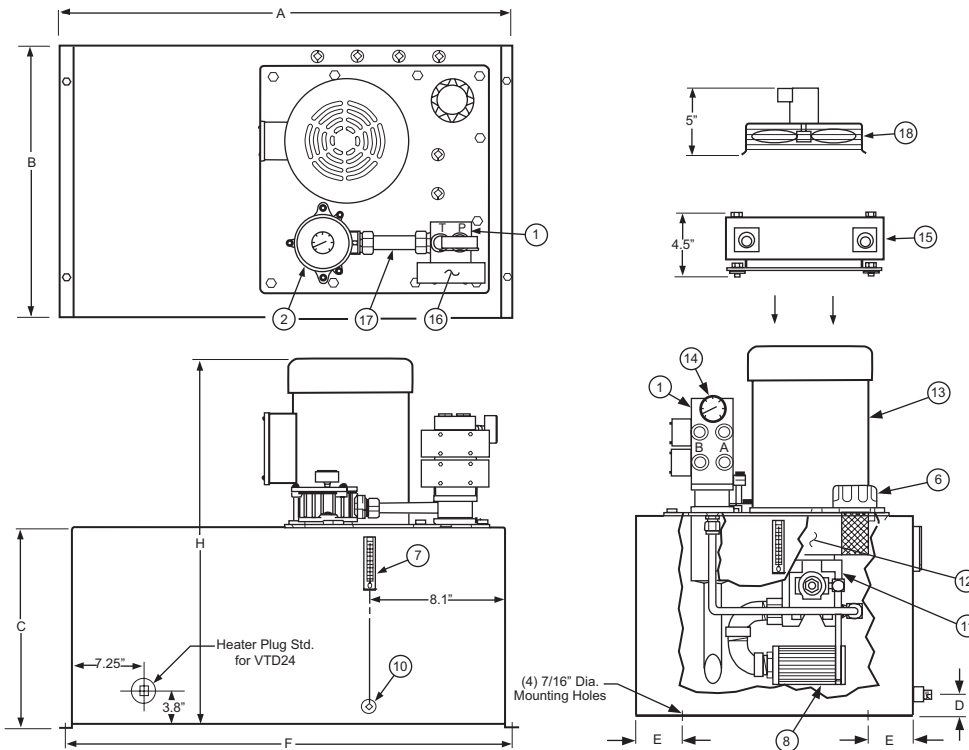
(right side view)

VTD14- 14 Gallon Vertical
Accepts VTB 13" x 13" Lids



VTD24- 24 Gallon Vertical
Accepts VTC 16.5" x 16.5" Lids

Dimensional Data



ITEM IDENTIFICATION:

1. MANIFOLD
 2. RETURN FILTER (LID PAINTED YELLOW)
ITF100-8FS-10MNPE FOR VTD18
#ITV200-12FP-10MNPE FOR VTD24
 3. TANK LID
 4. RUBBERIZED GASKET
 5. TANK BODY
 6. FILLER/ BREATHER #FB-12S
 7. SIGHT & TEMPERATURE GAUGE #SLG5
 8. SUCTION STRAINER
 9. MAGNETS (1 PER 5 GALLONS)
 10. DRAIN PLUG
 11. PUMP
 12. PUMP MOTOR ADAPTER (ORANGE COVER)
 13. ELECTRIC MOTOR- CAST IRON STANDARD (EXCEPT SINGLE PHASE MOTORS)
 14. PRESSURE GAUGE WITH SNUBBER
 15. HEAT EXCHANGER (OPTIONAL):
FOR VTD18:
HE45-V, NO FAN
HE45-VF, WITH FAN
FOR VTD24:
HE90-V, NO FAN
HE90-VF, WITH FAN
 16. MULTIPLE VALVE COMBINATIONS- (MAY EXCEED OVERALL ENVELOPE DIMENSIONS DEPENDING ON VALVING)
 17. PRE-PLUMBED TANK LINE
 18. HEAT EXCHANGER FAN :
FOR VTD18: 4.7" DIA., 15.2W, 115 VAC, 0.25 AMP 24" FREE LEADS
FOR VTD24: 7" DIA., 1/30 HP, 115 VAC, 1AMP
- PAINT (OPTIONAL)**
COLOR CODES:
BLUE- UNIT COLOR PAINT
ORANGE- DANGER
YELLOW- MAINTENANCE
GRAY- ELECTRICAL

Dimensions (Inches)

Model Number	Reservoir Capacity	Dimensions (Inches)						H* Max.			
		A	B	C	D	E	F	2 HP	5 HP	7.5 HP	10 HP
VTD18	18 Gallon	25.8	19.5	10.8	1.7	2.0	24.8	22.5	N/A	N/A	N/A
VTD24	24 Gallon	25.8	19.5	14.5	1.7	2.0	24.8	N/A	28.2	30.5	32.1

*Standard 1800 RPM, TEFC 230/460V, 3 phase motor.

