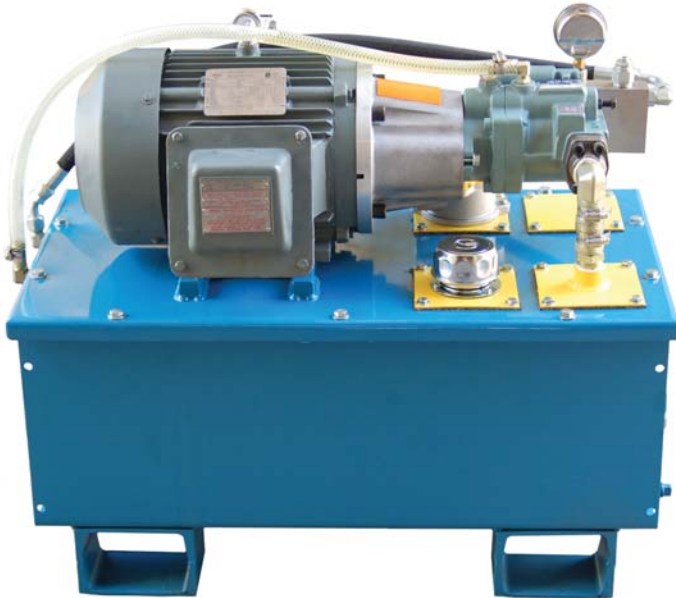


HYDRAULIC POWER UNITS

TOP MOUNT TANK



Top Mount Series

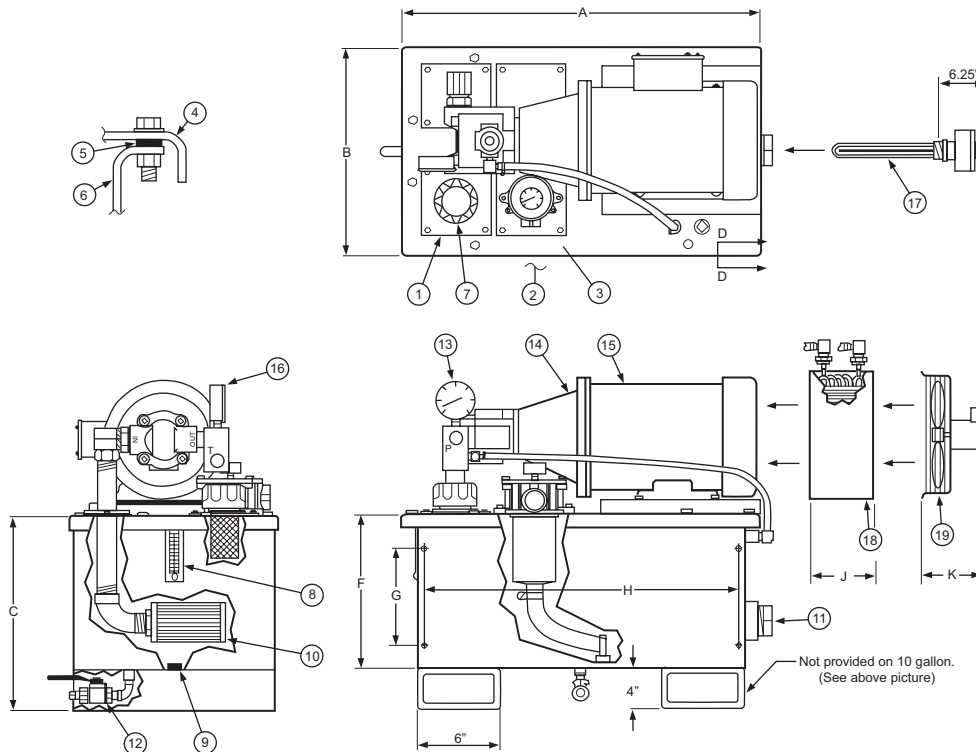


TMT20 Top Mount Tank

Features

- Pump and Motor Accessible:** Ability to replace easily.
- Easy Reservoir Draining:** Pump not required for draining.
- Color Code Identification:** Allows for easy identification of items.
- In-Tank Filter System:** Provides easy element replacement without line drainage.
- Convenient Suction Strainer Maintenance:** Clean out access cover allows replacement of suction strainer without draining reservoir.
- Removable Top Plate:** Removable top allows for easy reservoir cleaning. No leaky end bells that make access for cleaning difficult.
- Conserves Space:** While still allowing easy maintenance, the top mount tank design saves floor space.

Dimensional Data



ITEM IDENTIFICATION:

- CLEAN-OUT COVER (YELLOW)
 - VALVE MOUNTING AREA
 - RETURN FILTER (YELLOW)
 - TANK LID
 - RUBBERIZED GASKET
 - TANK BODY
 - FILLER/ BREATHER
 - SIGHT & TEMPERATURE GAUGE
 - MAGNETS (1 PER 5 GALLONS)
 - SUCTION STRAINER WITH BYPASS VALVE
 - 2" NPT HEATER COUPLING (OPTIONAL)
 - 1/2" NPT DRAIN BALL VALVE WITH PLUG
 - PUMP
 - PUMP MOTOR ADAPTER (ORANGE)
 - ELECTRIC MOTOR
 - PRESSURE GAUGE WITH SNUBBER
 - HEATER (OPTIONAL)
 - HEAT EXCHANGER (OPTIONAL)
 - COOLING FAN (OPTIONAL)
 - PAINT (OPTIONAL)
- COLOR CODES:
 BLUE- UNIT COLOR PAINT
 ORANGE- DANGER
 YELLOW- MAINTENANCE
 GRAY- ELECTRICAL

Model Number	Reservoir Capacity	Dimensions (Inches)									Std. Return Filter (10 μ)	4" Lip Drip Pan	Maximum Horsepower
		A	B	C	F	G	H	J	K				
TMT10	10 Gallon	26.0	15.0	12.3							ITF200-8FS-10MNPE		5
TMT20	20 Gallon	32.0	17.5	16.0	12.0	8	30.6	4.25	5.9		ITF200-12FS-10MNPE	30.9" x 48"	10
TMT35	35 Gallon	36.5	22.5	17.5	13.5	8	35.3	4.25	6.0		ITF250-12FS-10MNPE	30.9" x 48"	15
TMT70	70 Gallon	46.5	26.3	20.5	16.5	8	45.3	4.25	6.0		ITF425-24FS-10MNPE	38.8" x 52"	50
TMT100	100 Gallon	46.5	26.3	26.0	22.0	8	45.3	9.0	6.0		ITF450-24FS-20-10	38.8" x 52"	100
TMT150	150 Gallon	46.5	26.3	37.0	33.0	8	45.3	9.0	6.0		ITF450-24FS-30-10	38.8" x 52"	100

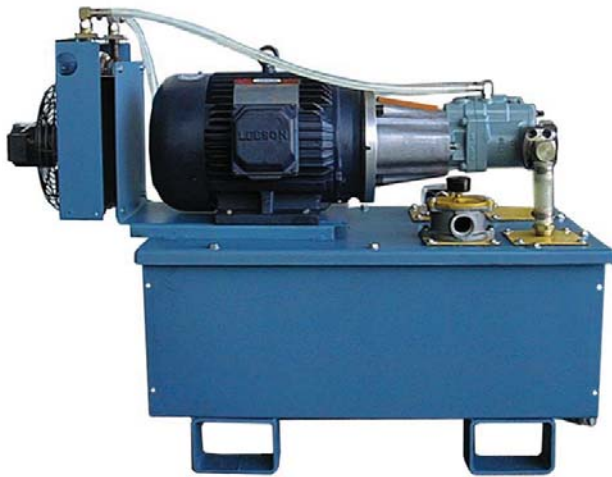


HYDRAULIC POWER UNITS

TOP MOUNT TANK



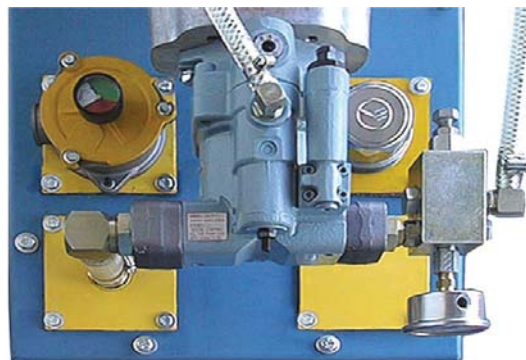
Top Mount Series



TMT20-10HP-PCP8
Top Mount Tank:
HE90-HF cooler,
DR30 safety relief

Covers may be relocated:
Fill, suction, return or access plates may
be moved as specified by the customer.
(units 20+ gallons)

Standard arrangement is same as the
dimensional drawing (left).



TMT200- Lubrication System:
We provide the reservoir, pump/ motors, heaters,
coolers, modulating valves and Barksdale level,
pressure, and temperature controls.

Customer contracts directly with our motor
controls house for the electrical package.

